

碳钢铆螺母 Blind rivet nuts steel
碳钢铆螺柱 Blind rivet studs steel
铝 铆 螺 母 Blind rivet nuts aluminium

青岛瑞强机电技术有限公司
Qingdao Wacom Fastening Systems Co., Ltd.

公司简介 Company Introduction

青岛瑞强机电技术有限公司是中国紧固系统及装配技术的领先供应商之一，多年来专注于拉铆螺母产品的生产研发及制造销售。

铆接紧固件是公司的核心产品之一，公司引进台湾进口生产设备，采用德国生产工艺，多年的拉铆螺母、拉铆螺柱、橡胶铆螺母、尼龙铆螺母的研发生产，我们累积了专业的技术经验，产品被广泛应用于轨道车辆、汽车、船舶、医疗设备、电力电气设备、建筑工程、太阳能、农业机械、食品机械等制造领域。瑞强重视未来的发展，我们利用先进的原料和创新的装配方法为客户开发研制新的铆接紧固件，紧固技术需要跟上科技创新发展的步伐，但这还不是全部。现代竞争日益激烈的全球市场使得我们的紧固件技术也必须满足客户严格的成本控制要求。

瑞强专注于为客户提供优化和完整的铆接解决方案，注重高品质、高质量，是ISO 9001:2008及TS 16949:2009认证企业，提供从可行性研究、小批量试制到批量供货、培训及售后服务的系统解决方案，我们为客户提供拉铆紧固件产品、安装工具及技术支持。

“连接您我，紧固世界”是我们的公司精神，“为10000家企业提供铆接解决方案”是我们的企业目标，瑞强将继续为客户提供合适的铆接解决方案，旨在提高客户的竞争优势。我们期待着为您服务，让我们共同成长！

更多详情，请登陆公司网站：

www.chinawacom.com



- › Qingdao Wacom Fastening Systems Co., Ltd. is professional company in Fastening system designing and producing, and be the leading supplier of fastening solutions. We have many experiences in the area of rivet nuts, and focus on the integrated special technology, offer the industrial applications by latest techniques and innovations. And contribute in preservation and development of outstanding achievements in the fastening field.
- › Wacom as the primary supplier in the fastening area, is an innovated high-tech company, through our own innovation and excellence in the tradition, continuous customer-critical applications in the field of technology R & D investment. We take the latest innovation from the lab to the market, and translated into productivity and improve customer's production costs. We have many industry experts in the fastening field, and abundant oversea learning background, with good English and service consciousness, to catch the latest developments in the field of fasteners, and the direction of the world's leading technology to provide users with superior full-service, promoting continues development.
- › Wacom focused on offering the optimized and integrated solutions to customers, pay attention to the quality products. And supply the system solutions from feasibility study, small quantity making to engineer design, professional recommendations, installation and commissioning, training and after-sales services. Wacom brings together a talented professional services team in fastening field and look forward to serve you.
- › For more details, please visit our Website: www.chinawacom.com

工艺流程 — Manufacturing Process



冷镦成型



冷镦



去油污



热处理



攻丝



甩干

实验设备 — Testing Equipment

- Microscope -- Appearance Inspection
- 显微镜—外观检验



- Hardness Tester -- Hardness Test for wire and products
- 硬度试验机—原材料和产品的硬度测试

- Profile Projector -- Appearance and Dimension Inspection
- 投影仪—外观和尺寸检测



- Polishing Machine -- Polishing the surface before hardness test
- 抛光机—硬度测试前进行抛光处理

- Material Test Machine -- Tensile and Shear Strength Test
- 材料试验机 - 拉力和剪切强度测试

- Salt Spray Chamber -- Surface Corrosion Test
- 盐雾试验机 - 表面腐蚀测试



- Thickness Tester -- Coating thickness test
- 镀层测厚仪 - 电镀层厚度测试

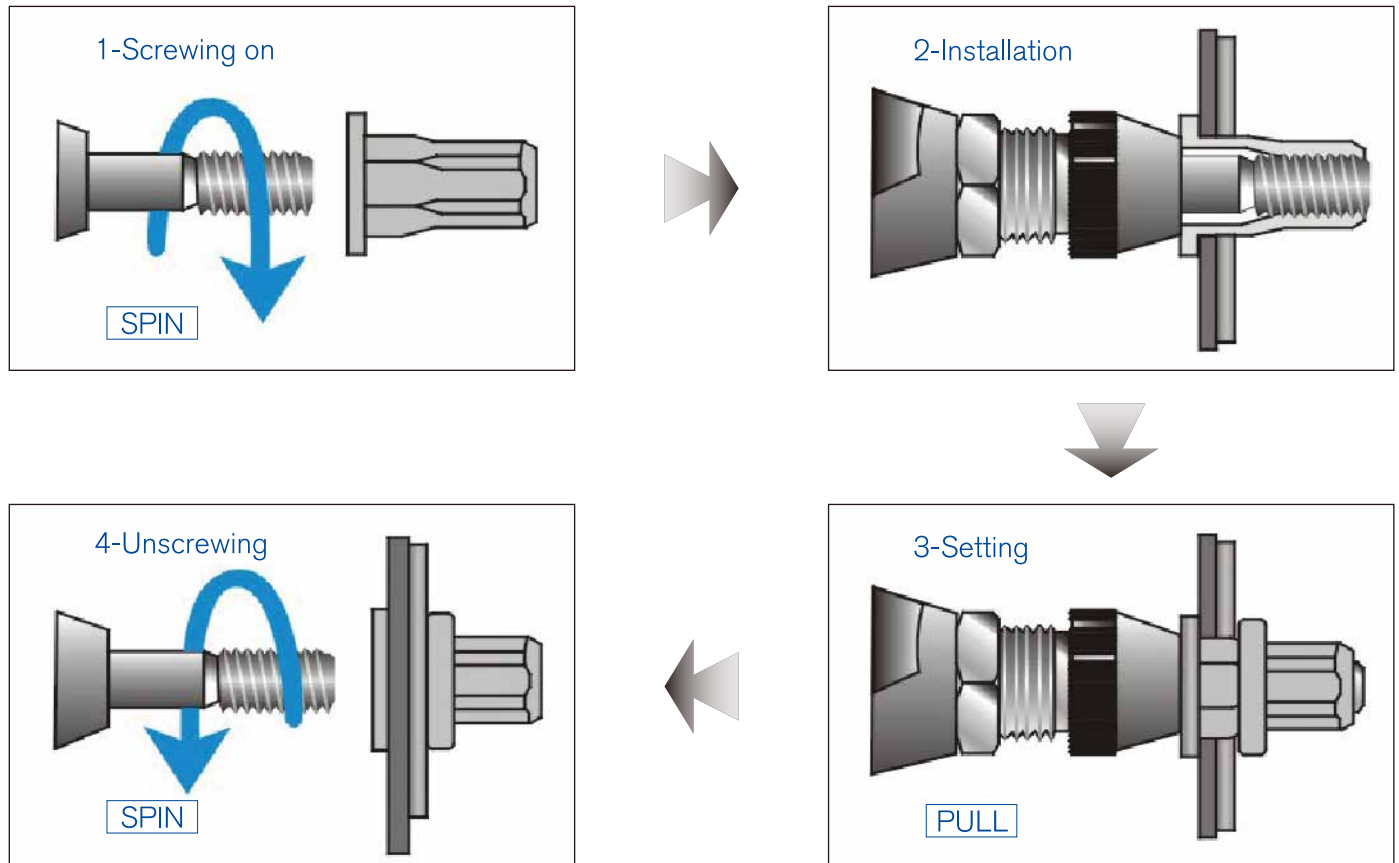
- Inside threading gauge / Internal diameter gauge/ Digital Indicator etc
- 内牙规/ 内径规/ 数显测试仪等等



优点 — ADVANTAGE

- Saving Raw Material.
- 减少材料厚度，节约成本。
- One side Assembly, Blind way is available.
- 盲孔铆接，单边安装。
- A Captive System/ Strong Thread.
- 铆合面贴合紧密，装配可靠，螺纹坚固耐用。
- No Secondary Operations.
- 成品铆接，无后道工序。
- Easy and Non-Destructive Quality Test.
- 测试手段简单，非破坏性。
- No Heat. No Distortion. No Fumes.Semi-Skilled Workers Required.
- 与焊接螺母相比，安装过程不发热、不变形、无环境污染，操作人员无行业准入许可。
- Varying Material Tolerance, Able to Cover Material Defects.
- 掩盖弥补原料不足，并具有公差补偿功能。
- Two Functions: Riveting & Screwing.
- 双重功能：先铆接后通过自带螺纹实现再次装配。
- Can be Autofeed, Accurate Positioning.
- 装配效率要求高的场合，可以脱离人工自动安装，安全快速，定位准确。
- Low requirement for Working Environment, Low Investment.
- 生产现场环境要求低，投资少。
- Flexible and Fast Installation Tooling, Not limited by Place Material and Process.
- 铆接工具快速灵活，不受地点、材料及工艺的限制。

安装原理 — Installation Principle



WE SUPPLY

专业服务/Professional Service

- 研发支持 (样件、培训、演示、推荐)
- 实地指导
- 免费样件
- 多种培训 (售前、使用、新研发成果、回访制度...) 对话
- 数据库 (技术数据、各国标准、通用产品、典型应用)
- R&D Support
- Free Sample
- Database Access
- Field Guide
- Training System

非标订做/Customised Fasteners

- 单独方案
- 重新设计
- 生产最优化
- Separated Solution
- Re-design
- Production Optimization

宽泛物流/Designated Logistics

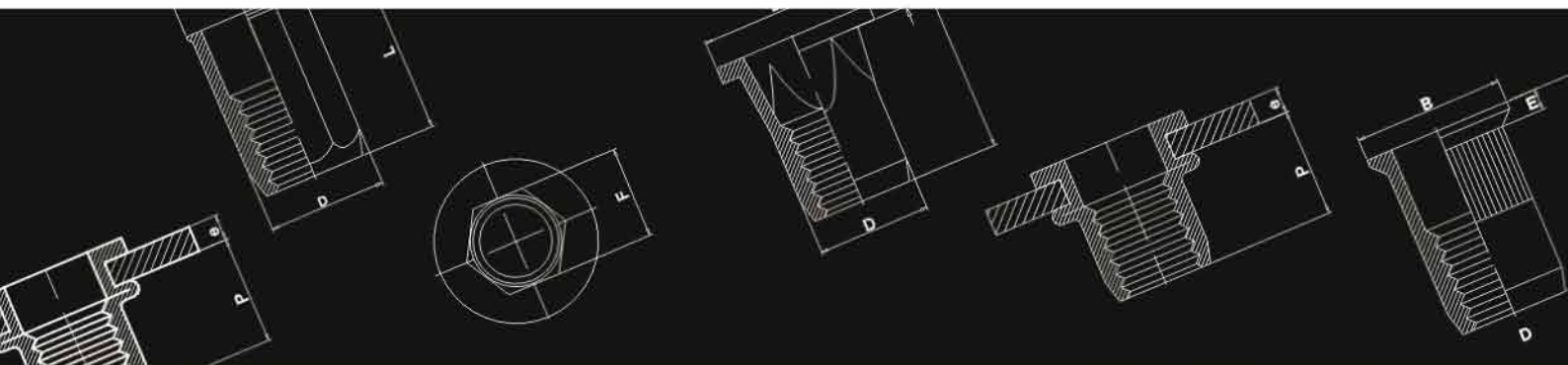
- 指定包装
- 多样化运输
- 高效配送
- 移动库存
- Specified Packaging
- Variety of Transportation
- Efficient Distribution
- Moveable Stock

打包服务/Packaging Service

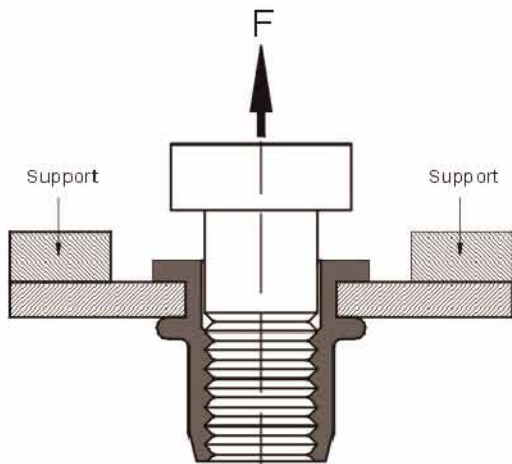
- 专业化、信息化、规模化
- 精细化拆分
- 快速回应
- 小项采购
- Specialization, Informatization, Scalization
- Intensification Resolution
- Quick Response
- Small Components Procurement

加工方式/Manufacturing Process

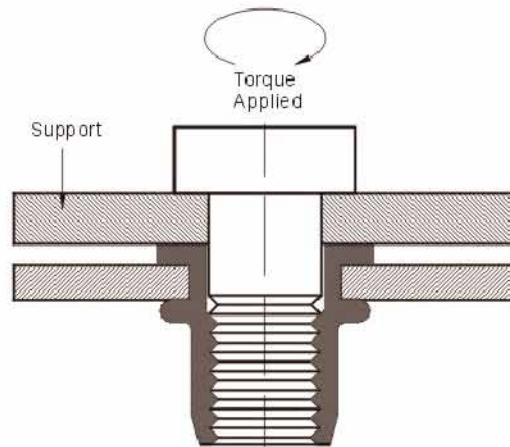
- 来样订做
- 灵活性
- 公司标志
- Samples
- Flexibility
- Logo



测试 — TESTING



Setting Load



Torque

编号规则 — P/N RULES

1	0	1	0	1	0	6	1	1	0	3	0
1)	2)	3)	4)	5)	6)	7)	8)				

1) 产品类型

- 1 Rivet Nut/ 铆螺母
- 2 Rivet Stud / 铆螺柱

2) 头部形状

- 1 Flat Head/平头
- 2 Countersunk Head/沉头
- 3 Low Countersunk Head/小沉头

3) Shape/身体形状

- 10 Round Body Open End/圆身 尾部开孔
- 11 Round Body Closed End/圆身 尾部封闭
- 20 Knurled Body- Open End/圆身滚花—尾部开孔
- 21 Knurled Body- Closed End/圆身滚花—尾部封闭
- 30 Half Hexagonal Body - Open End/半六角身—尾部开孔
- 31 Half Hexagonal Body - Closed End/半六角身—尾部封闭
- 40 Hexagonal Body Open End/六角形身体尾部开孔
- 41 Hexagonal Body Closed End/六角形身体尾部封闭
- 99 Special Shape/特殊形状

4) Material/材料

- 1 Steel/钢
- 2 Stainless Steel/下锈钢
- 3 Aluminium/铝
- 4 Brass/铜
- 9 Special Material/特殊材料

5) Thread Diameter (Metric) / 螺纹直径 (公制)

- | | |
|--------|--------|
| 03 M3 | 04 M4 |
| 05 M5 | 06 M6 |
| 07 M7 | 08 M8 |
| 09 M9 | 10 M10 |
| 12 M12 | |

6) Pitch/螺距

- 1 Normal Pitch/标准螺距
- 2 Special Pitch/特殊螺距

7) Coating/镀层

- 0 No Coating/无镀层
- 1 Zinc Plated White Passivated/白锌
- 2 Zinc Plated Yellow Passivated/黄锌
- 3 Zinc Plated yellow Passivated Reinforced Protecting/黄锌并加强保护
- 4 Zinc Nickel Plated Yellow Passivated/黄色锌镍镀层
- 9 Special Finish 特殊镀层

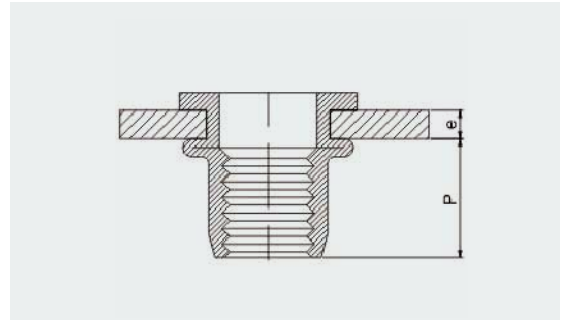
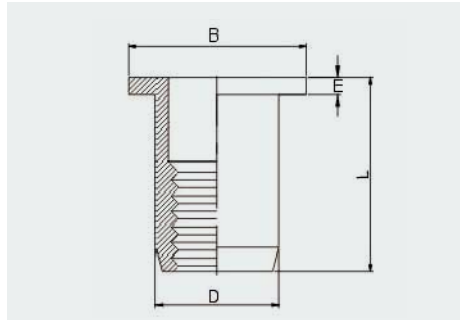
8) Grip Range / 铆接范围


目录

CONTENTS

平头圆身普通 (开口/钢) M3-M10 Flat Head Round Body (Open/Steel)-----	09	小沉头全六角 (开口/钢) M4-M12 Low Countersunk Head Hexagonal Body (Open/Steel)-----	25
平头圆身普通 (闭口/钢) M3-M10 Flat Head Round Body (Closed/Steel)-----	10	小沉头全六角 (闭口/钢) M4-M8 Low Countersunk Head Hexagonal Body (Closed /Steel)-----	26
平头圆身普通 (开口/铝) M3-M10 Flat Head Round Body (Open/Aluminium)-----	11	小沉头圆身普通 (开口/钢) M3-M8 Low Countersunk Head Round Body (Open/Steel)-----	27
平头圆身普通 (闭口/铝) M3-M10 Flat Head Round Body (Closed/ Aluminium)-----	12	小沉头圆身普通 (闭口/钢) M4-M10 Low Countersunk Head Round Body (Closed/Steel)-----	27
平头圆身滚花 (开口/钢) M3-M10 Flat Head Knurled Body (Open/Steel)-----	13	平头半六角 (开口/钢) M4-M8 Flat Head Half Hexagonal Body (Open/Steel)-----	28
平头圆身滚花 (闭口/钢) M3-M10 Flat Head Knurled Body (Closed /Steel)-----	14	平头半六角 (闭口/钢) M4-M8 Flat Head Half Hexagonal Body (Closed /Steel)-----	28
沉头圆身普通 (开口/钢) M3-M10 Countersunk Head Round Body (Open/Steel)-----	15	小沉头半六角 (开口/钢) M4-M8 Low Countersunk Head Half Hexagonal Body (Open/Steel)-----	29
沉头圆身普通 (闭口/钢) M3-M10 Countersunk Head Round Body (Closed/Steel)-----	16	小沉头半六角 (闭口/钢) M4-M8 Low Countersunk Head Half Hexagonal Body (Closed /Steel)-----	29
沉头圆身普通 (开口/铝) M3-M10 Countersunk Head Round Body (Open/Aluminium)-----	17	大法兰头半四角 (开口/钢) M5-M6 Large Flange Head Square Section Body (Open/Steel)-----	30
沉头圆身普通 (闭口/铝) M3-M10 Countersunk Head Round Body (Closed/ Aluminium)-----	18	平头全六角带密封圈 (闭口/钢) M5-M8 Flat Head Hexagonal Body With Seal (Closed /Steel)-----	30
沉头圆身滚花 (开口/钢) M3-M10 Countersunk Head Knurled Body (Open/Steel)-----	19	小龟背头圆身滚花 (开口/钢) M4-M10 Small Flange Head Knurled Body (Open/Steel)-----	31
沉头圆身滚花 (闭口/钢) M3-M10 Countersunk Head Knurled Body (Closed/Steel)-----	20	大龟背头圆身滚花 (开口/钢) M4-M10 Large Flange Head Knurled Body (Open/Steel)-----	31
小沉头圆身滚花 (开口/钢) M3-M10 Low Countersunk Head Knurled Body (Open/Steel)-----	21	小龟背头圆身滚花 (美制螺纹) (开口/钢) 8-32 - 3/8"16 Small Flange Head Knurled Body (UNC Thread) (Open/Steel)-----	32
小沉头圆身滚花 (闭口/钢) M3-M10 Low Countersunk Head Knurled Body (Closed/Steel)-----	22	大龟背头圆身滚花 (美制螺纹) (开口/钢) 8-32 - 3/8"16 Large Flange Head Knurled Body (UNC Thread) (Open/Steel) -----	32
平头全六角 (开口/钢) M4-M10 Flat Head Hexagonal Body (Open/Steel)-----	23	平头圆身滚花铆螺柱 M4-M8 Flat Head Knurled Body Rivet Studs Steel -----	33
平头全六角 (闭口/钢) M4-M10 Flat Head Hexagonal Body (Closed /Steel)-----	24	特殊规格铆螺母及铆螺柱 Blind Rivet Nuts & Studs Special designs -----	34
		P2010气动液压全自动铆螺母枪 Hydraulic/pneumatic/automatic setting tool-P2010-----	34

◎ 平头圆身普通（开口 / 钢） | Flat Head Round Body(Open/Steel)



	e		 +0.1/0	D Max.	B	E	L	P	P/N	Setting Load (N)	Torque (N.m)
	Min.	Max.									
M3	0.5	2.0	5	4.98	7.5	1.0	9.0	4.8	11101-0312020	3500	1.2
	2.0	3.5	5	4.98	7.5	1.0	10.5	4.8	11101-0312035	3500	1.2
	3.5	5.0	5	4.98	7.5	1.0	12.0	4.8	11101-0312050	3500	1.2
M4	0.5	2.0	6	5.98	9.0	1.0	9.5	5.4	11101-0412020	5500	3
	2.0	3.5	6	5.98	9.0	1.0	12.0	5.4	11101-0412035	5500	3
	3.5	5.0	6	5.98	9.0	1.0	13.5	5.4	11101-0412050	5500	3
M5	0.5	3.0	7	6.98	10.0	1.0	14.0	8.0	11101-0512030	8000	6
	3.0	5.5	7	6.98	10.0	1.0	17.0	8.0	11101-0512055	8000	6
	5.5	8.0	7	6.98	10.0	1.0	20.0	8.0	11101-0512080	8000	6
M6	0.5	3.0	9	8.98	13.0	1.5	16.0	10.0	11101-0612030	12000	10
	3.0	5.5	9	8.98	13.0	1.5	19.0	10.0	11101-0612055	12000	10
	5.5	8.0	9	8.98	13.0	1.5	22.0	10.0	11101-0612080	12000	10
M8	0.5	3.0	11	10.98	16.0	1.5	18.0	11.0	11101-0812030	18000	24
	3.0	5.5	11	10.98	16.0	1.5	21.0	11.0	11101-0812055	18000	24
	5.5	8.0	11	10.98	16.0	1.5	24.0	11.0	11101-0812080	18000	24
	8.0	10.5	11	10.98	16.0	1.5	27.0	11.0	11101-0812105	18000	24
M10	1.0	3.5	13	12.98	19.0	2.0	23.0	15.0	11101-1012035	22000	48
	3.5	6.0	13	12.98	19.0	2.0	26.0	15.0	11101-1012060	22000	48
	6.0	8.5	13	12.98	19.0	2.0	29.0	15.0	11101-1012085	22000	48
	8.5	11.0	13	12.98	19.0	2.0	32.0	15.0	11101-1012110	22000	48

* 单位: mm;

* 以上产品采用表面镀锌处理, 符合ROHS要求;

* 其它尺寸规格请与我们联系;

* 标准更改恕不另行通知。

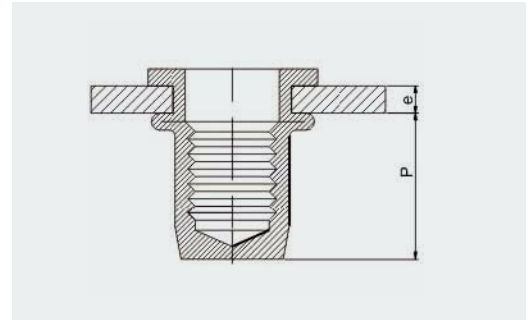
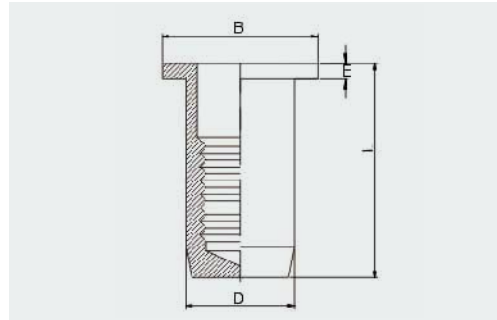
* Unit: mm.

* Surface Treatment: Zinc Plated & Passivated.

* Consult salesman on any other requirement.

* Specifications subject to change without notice.

◎ 平头圆身普通（闭口 / 钢） | Flat Head Round Body(Closed/Steel)



	e		+0.1/0	D Max.	B	E	L	P	P/N	Setting Load (N)	Torque (N.m)
	Min.	Max.									
M3	0.5	2.0	5	4.98	7.5	1.0	13.0	8.8	11111-0312020	3500	1.2
	2.0	3.5	5	4.98	7.5	1.0	14.5	8.8	11111-0312035	3500	1.2
	3.5	5.0	5	4.98	7.5	1.0	16.0	8.8	11111-0312050	3500	1.2
M4	0.5	2.0	6	5.98	9.0	1.0	14.5	10.4	11111-0412020	5500	3
	2.0	3.5	6	5.98	9.0	1.0	17.0	10.4	11111-0412035	5500	3
	3.5	5.0	6	5.98	9.0	1.0	18.5	10.4	11111-0412050	5500	3
M5	0.5	3.0	7	6.98	10.0	1.0	20.0	14.0	11111-0512030	8000	6
	3.0	5.5	7	6.98	10.0	1.0	23.0	14.0	11111-0512055	8000	6
	5.5	8.0	7	6.98	10.0	1.0	26.0	14.0	11111-0512080	8000	6
M6	0.5	3.0	9	8.98	13.0	1.5	23.0	17.0	11111-0612030	12000	10
	3.0	5.5	9	8.98	13.0	1.5	26.0	17.0	11111-0612055	12000	10
	5.5	8.0	9	8.98	13.0	1.5	29.0	17.0	11111-0612080	12000	10
M8	0.5	3.0	11	10.98	16.0	1.5	26.0	19.0	11111-0812030	18000	24
	3.0	5.5	11	10.98	16.0	1.5	29.0	19.0	11111-0812055	18000	24
	5.5	8.0	11	10.98	16.0	1.5	32.0	19.0	11111-0812080	18000	24
	8.0	10.5	11	10.98	16.0	1.5	35.0	19.0	11111-0812105	18000	24
M10	1.0	3.5	13	12.98	19.0	2.0	33.0	25.0	11111-1012035	22000	48
	3.5	6.0	13	12.98	19.0	2.0	36.0	25.0	11111-1012060	22000	48
	6.0	8.5	13	12.98	19.0	2.0	39.0	25.0	11111-1012085	22000	48
	8.5	11.0	13	12.98	19.0	2.0	42.0	25.0	11111-1012110	22000	48

* 单位: mm;

* 以上产品采用表面镀锌处理, 符合ROHS要求;

* 其它尺寸规格请与我们联系;

* 标准更改恕不另行通知。

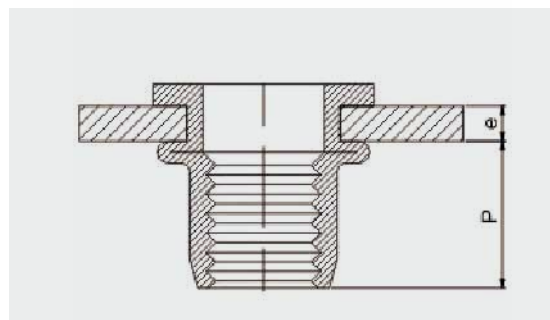
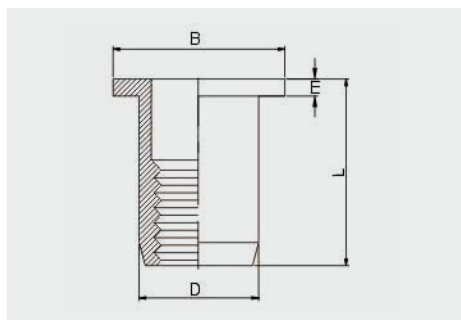
* Unit: mm.


* Surface Treatment: Zinc Plated & Passivated.

* Consult salesman on any other requirement.

* Specifications subject to change without notice.

◎ 平头圆身普通(开口 / 铝) | Flat Head Round Body(Open/Aluminium)



	e		 +0.1/0	D Max.	B	E	L	P	P/N	Setting Load (N)	Torque (N.m)
	Min.	Max.									
M3	0.25	2.00	5	4.98	7.5	1.0	9.6	5.4	11103-0310020	1900	1.2
	2.00	3.50	5	4.98	7.5	1.0	11.2	5.4	11103-0310035	1900	1.2
M4	0.25	2.00	6	5.98	9.0	1.0	11.0	6.3	11103-0410025	3000	3
	2.00	4.50	6	5.98	9.0	1.0	13.1	6.3	11103-0410045	3000	3
M5	0.25	3.00	7	6.98	10.0	1.0	13.6	7.8	11103-0510030	3800	6
	3.00	5.50	7	6.98	10.0	1.0	16.2	7.8	11103-0510055	3800	6
M6	0.50	3.00	9	8.98	13.0	1.5	16.6	10.4	11103-0610030	5500	10
	3.00	5.50	9	8.98	13.0	1.5	19.3	10.4	11103-0610055	5500	10
M8	0.50	3.00	11	10.98	16.0	1.5	20.0	12.7	11103-0810030	10000	24
	3.00	5.50	11	10.98	16.0	1.5	22.7	12.7	11103-0810055	10000	24
M10	0.80	3.50	13	12.98	19.0	2.0	25.0	16.6	11103-1010035	12000	48
	3.00	6.00	13	12.98	19.0	2.0	27.7	16.6	11103-1010060	12000	48

* 单位: mm;

* 其它尺寸规格请与我们联系;

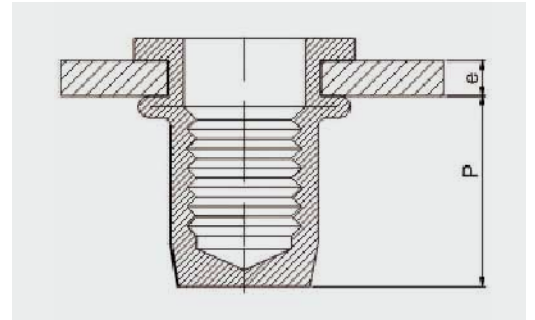
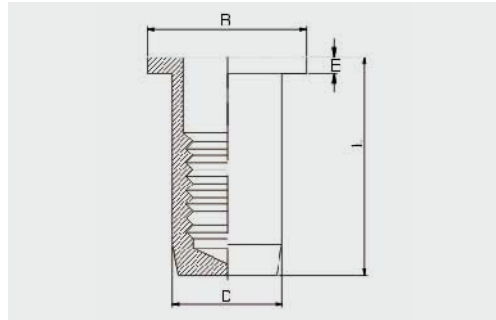
* 标准更改恕不另行通知。


* Unit: mm.

* Consult salesman on any other requirement.

* Specifications subject to change without notice.

◎ 平头圆身普通 (闭口 / 铝) | Flat Head Round Body (Closed/Aluminium)



	e		 +0.1/0	D Max.	B	E	L	P	P/N	Setting Load (N)	Torque (N.m)
	Min.	Max.									
M3	0.25	2.00	5	4.98	7.5	1.0	13.5	9.3	11113-0310020	1900	1.2
	2.00	3.50	5	4.98	7.5	1.0	15.1	9.3	11113-0310035	1900	1.2
M4	0.25	2.00	6	5.98	9.0	1.0	16.0	11.3	11113-0410025	3000	3
	2.00	4.50	6	5.98	9.0	1.0	18.1	11.3	11113-0410045	3000	3
M5	0.25	3.00	7	6.98	10.0	1.0	19.3	13.5	11113-0510030	3800	6
	3.00	5.50	7	6.98	10.0	1.0	21.9	13.5	11113-0510055	3800	6
M6	0.50	3.00	9	8.98	13.0	1.5	23.6	17.4	11113-0610030	5500	10
	3.00	5.50	9	8.98	13.0	1.5	26.3	17.4	11113-0610055	5500	10
M8	0.50	3.00	11	10.98	16.0	1.5	28.3	21.0	11113-0810030	10000	24
	3.00	5.50	11	10.98	16.0	1.5	31.0	21.0	11113-0810055	10000	24
M10	0.80	3.50	13	12.98	19.0	2.0	34.9	26.5	11113-1010035	12000	48
	3.00	6.00	13	12.98	19.0	2.0	37.6	26.5	11113-1010060	12000	48

* 单位: mm;

* 其它尺寸规格请与我们联系;

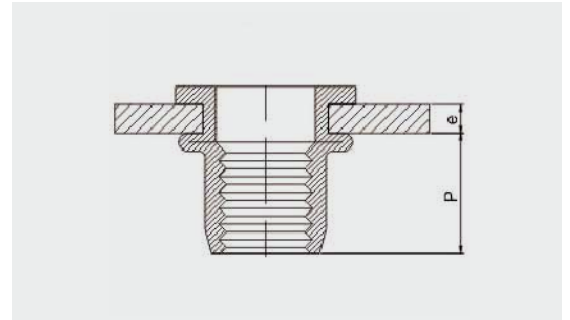
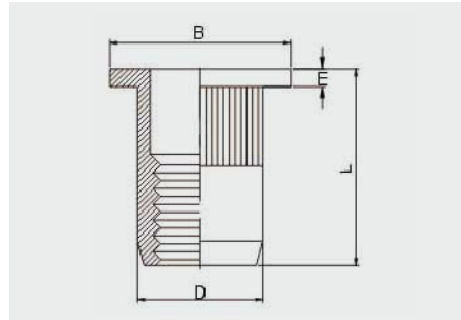
* 标准更改恕不另行通知。


* Unit: mm.

* Consult salesman on any other requirement.

* Specifications subject to change without notice.

◎ 平头圆身滚花(开口 / 钢) | Flat Head Knurled Body(Open/Steel)



	e		 +0.1/0	D Max.	B	E	L	P	P/N	Setting Load (N)	Torque (N.m)
	Min.	Max.									
M3	0.50	2.00	5	4.98	7	1.0	9.5	6.0	11201-0312020	3500	1.2
	2.00	3.50	5	4.98	7	1.0	11.0	6.0	11201-0312035	3500	1.2
	3.50	5.00	5	4.98	7	1.0	12.5	6.0	11201-0312050	3500	1.2
M4	0.50	2.00	6	5.98	8	1.0	10.5	6.3	11201-0412020	5600	3
	2.00	3.50	6	5.98	8	1.0	12.0	6.3	11201-0412035	5600	3
	3.50	5.00	6	5.98	8	1.0	13.5	6.3	11201-0412050	5600	3
M5	0.50	1.00	7	6.98	10	1.0	12.0	8.0	11201-0512010	8500	6
	1.00	2.00	7	6.98	10	1.0	13.0	8.0	11201-0512020	8500	6
	2.00	3.00	7	6.98	10	1.0	14.0	8.0	11201-0512030	8500	6
	3.00	4.00	7	6.98	10	1.0	15.0	8.0	11201-0512040	8500	6
M6	0.70	1.50	9	8.98	13	1.5	14.5	10.0	11201-0612015	11000	10
	1.50	3.00	9	8.98	13	1.5	16.0	10.0	11201-0612030	11000	10
	3.00	4.50	9	8.98	13	1.5	17.5	10.0	11201-0612045	11000	10
M8	1.00	2.00	11	10.98	16	1.5	17.0	10.8	11201-0812020	15000	24
	2.00	3.50	11	10.98	16	1.5	18.5	10.8	11201-0812035	15000	24
	3.50	5.00	11	10.98	16	1.5	20.0	10.8	11201-0812050	15000	24
M10	1.00	1.50	13	12.98	16	2.0	20.8	15.0	11201-1012015	21000	48
	1.50	3.00	13	12.98	16	2.0	22.4	15.0	11201-1012030	21000	48
	3.00	4.50	13	12.98	16	2.0	24.0	15.0	11201-1012045	21000	48
	4.50	6.00	13	12.98	16	2.0	25.6	15.0	11201-1012060	21000	48

* 单位: mm;

* 以上产品采用表面镀锌处理, 符合ROHS要求;

* 其它尺寸规格请与我们联系;

* 标准更改恕不另行通知。

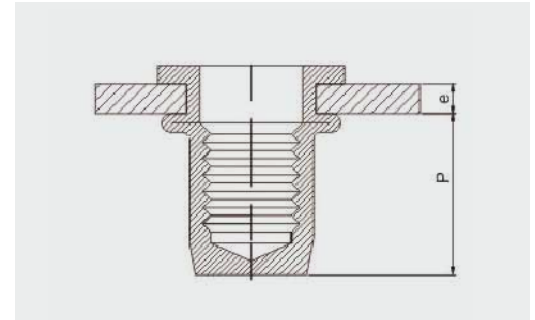
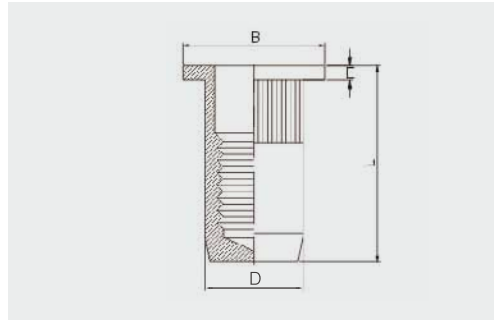
* Unit: mm.


* Surface Treatment: Zinc Plated & Passivated.

* Consult salesman on any other requirement.

* Specifications subject to change without notice.

◎ 平头圆身滚花(闭口 / 钢) | Flat Head Knurled Body(Closed/Steel)



	e		 +0.1/0	D Max.	B	E	L	P	P/N	Setting Load (N)	Torque (N.m)
	Min.	Max.									
M3	0.50	2.00	5	4.98	7	1.0	13.1	10.3	11211-0312020	3500	1.2
	2.00	3.50	5	4.98	7	1.0	13.9	10.3	11211-0312035	3500	1.2
	3.50	5.00	5	4.98	7	1.0	14.7	10.3	11211-0312050	3500	1.2
M4	0.50	2.00	6	5.98	8	1.0	14.2	11.3	11211-0412020	5600	3
	2.00	3.50	6	5.98	8	1.0	15.0	11.3	11211-0412035	5600	3
	3.50	5.00	6	5.98	8	1.0	15.8	11.3	11211-0412050	5600	3
M5	0.50	1.00	7	6.98	10	1.0	17.6	14.6	11211-0512010	8500	6
	1.00	2.00	7	6.98	10	1.0	18.7	14.6	11211-0512020	8500	6
	2.00	3.00	7	6.98	10	1.0	19.8	14.6	11211-0512030	8500	6
	3.00	4.00	7	6.98	10	1.0	20.9	14.6	11211-0512040	8500	6
M6	0.70	1.50	9	8.98	13	1.5	22.0	17.0	11211-0612015	11000	10
	1.50	3.00	9	8.98	13	1.5	23.6	17.0	11211-0612030	11000	10
	3.00	4.50	9	8.98	13	1.5	25.2	17.0	11211-0612045	11000	10
M8	1.00	2.00	11	10.98	16	1.5	25.0	18.8	11211-0812020	15000	24
	2.00	3.50	11	10.98	16	1.5	26.5	18.8	11211-0812035	15000	24
	3.50	5.00	11	10.98	16	1.5	28.0	18.8	11211-0812050	15000	24
M10	1.00	1.50	13	12.98	16	2.0	30.7	24.9	11211-1012015	21000	48
	1.50	3.00	13	12.98	16	2.0	32.3	24.9	11211-1012030	21000	48
	3.00	4.50	13	12.98	16	2.0	33.9	24.9	11211-1012045	21000	48
	4.50	6.00	13	12.98	16	2.0	35.5	24.9	11211-1012060	21000	48

* 单位: mm;

* 以上产品采用表面镀锌处理, 符合ROHS要求;

* 其它尺寸规格请与我们联系;

* 标准更改恕不另行通知。

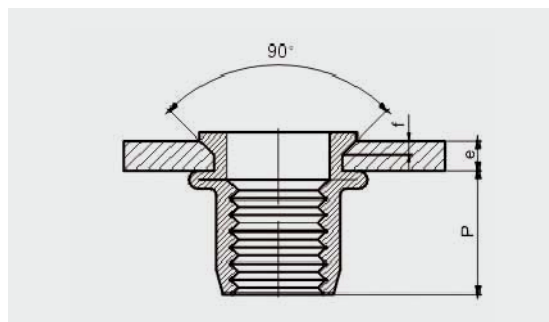
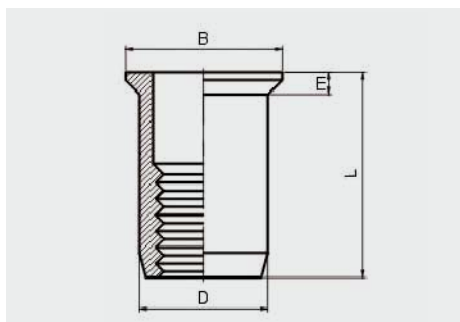
* Unit: mm.

* Surface Treatment: Zinc Plated & Passivated.

* Consult salesman on any other requirement.

* Specifications subject to change without notice.

◎ 沉头圆身普通 (开口 / 钢) | Countersunk Head Round Body (Open/Steel)



	e		+0.1/0	D Max.	f	B	E	L	P	P/N	Setting Load (N)	Torque (N.m)
	Min.	Max.										
M3	1.00	1.50	5	4.98	0.9	6.6	1.0	8.5	4.8	12101-0312015	3500	1.2
	1.50	3.00	5	4.98	1.3	7.2	1.4	9.0	4.8	12101-0312030	3500	1.2
	3.00	4.50	5	4.98	1.3	7.2	1.4	10.5	4.8	12101-0312045	3500	1.2
	4.50	6.00	5	4.98	1.3	7.2	1.4	12.0	4.8	12101-0312060	3500	1.2
M4	1.00	2.00	6	5.98	0.9	7.6	1.0	10.0	5.4	12101-0412020	5500	3
	2.00	3.00	6	5.98	1.3	8.2	1.4	10.5	5.4	12101-0412030	5500	3
	3.00	5.00	6	5.98	1.3	8.2	1.4	12.0	5.4	12101-0412050	5500	3
	5.00	7.00	6	5.98	1.3	8.2	1.4	14.0	5.4	12101-0412070	5500	3
M5	1.50	4.00	7	6.98	1.5	9.6	1.6	14.0	8.0	12101-0512040	8000	6
	4.00	6.50	7	6.98	1.5	9.6	1.6	17.0	8.0	12101-0512065	8000	6
	6.50	9.00	7	6.98	1.5	9.6	1.6	20.0	8.0	12101-0512090	8000	6
M6	1.50	4.00	9	8.98	1.5	11.7	1.6	16.0	10.0	12101-0612040	12000	10
	4.00	6.50	9	8.98	1.5	11.7	1.6	19.0	10.0	12101-0612065	12000	10
	6.50	9.00	9	8.98	1.5	11.7	1.6	22.0	10.0	12101-0612090	12000	10
M8	1.50	4.00	11	10.98	1.5	13.5	1.6	18.0	11.0	12101-0812040	18000	24
	4.00	6.50	11	10.98	1.5	13.5	1.6	21.0	11.0	12101-0812065	18000	24
	6.50	9.00	11	10.98	1.5	13.5	1.6	24.0	11.0	12101-0812090	18000	24
M10	1.50	4.00	13	12.98	1.5	15.5	1.6	22.0	15.0	12101-1012040	22000	48
	4.00	6.50	13	12.98	1.5	15.5	1.6	25.0	15.0	12101-1012065	22000	48
	6.50	9.00	13	12.98	1.5	15.5	1.6	28.0	15.0	12101-1012090	22000	48

* 单位: mm;

* 以上产品采用表面镀锌处理, 符合ROHS要求;

* 其它尺寸规格请与我们联系;

* 标准更改恕不另行通知。

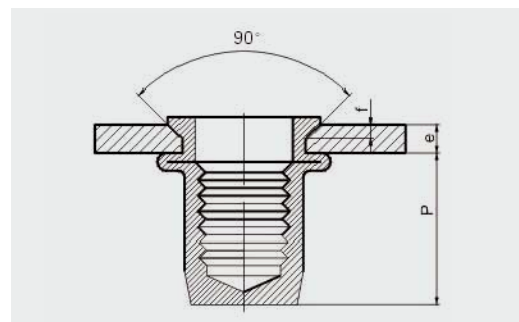
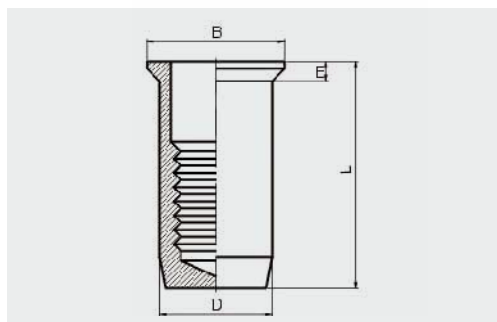
* Unit: mm.

* Surface Treatment: Zinc Plated & Passivated.

* Consult salesman on any other requirement.

* Specifications subject to change without notice.

◎ 沉头圆身普通 (闭口 / 钢) | Countersunk Head Round Body (Closed/Steel)



	e		+0.1/0	D Max.	f	B	E	L	P	P/N	Setting Load (N)	Torque (N.m)
	Min.	Max.										
M3	1.00	1.50	5	4.98	0.9	6.6	1.0	12.5	8.8	12111-0312015	3500	1.2
	1.50	3.00	5	4.98	1.3	7.2	1.4	13.0	8.8	12111-0312030	3500	1.2
	3.00	4.50	5	4.98	1.3	7.2	1.4	14.5	8.8	12111-0312045	3500	1.2
	4.50	6.00	5	4.98	1.3	7.2	1.4	16.0	8.8	12111-0312060	3500	1.2
M4	1.00	2.00	6	5.98	0.9	7.6	1.0	15.0	10.4	12111-0412020	5500	3
	2.00	3.00	6	5.98	1.3	8.2	1.4	15.5	10.4	12111-0412030	5500	3
	3.00	5.00	6	5.98	1.3	8.2	1.4	17.0	10.4	12111-0412050	5500	3
	5.00	7.00	6	5.98	1.3	8.2	1.4	19.0	10.4	12111-0412070	5500	3
M5	1.50	4.00	7	6.98	1.5	9.6	1.6	20.0	14.0	12111-0512040	8000	6
	4.00	6.50	7	6.98	1.5	9.6	1.6	23.0	14.0	12111-0512065	8000	6
	6.50	9.00	7	6.98	1.5	9.6	1.6	26.0	14.0	12111-0512090	8000	6
M6	1.50	4.00	9	8.98	1.5	11.7	1.6	23.0	17.0	12111-0612040	12000	10
	4.00	6.50	9	8.98	1.5	11.7	1.6	26.0	17.0	12111-0612065	12000	10
	6.50	9.00	9	8.98	1.5	11.7	1.6	29.0	17.0	12111-0612090	12000	10
M8	1.50	4.00	11	10.98	1.5	13.5	1.6	26.0	19.0	12111-0812040	18000	24
	4.00	6.50	11	10.98	1.5	13.5	1.6	29.0	19.0	12111-0812065	18000	24
	6.50	9.00	11	10.98	1.5	13.5	1.6	32.0	19.0	12111-0812090	18000	24
M10	1.50	4.00	13	12.98	1.5	15.5	1.6	32.0	25.0	12111-1012040	22000	48
	4.00	6.50	13	12.98	1.5	15.5	1.6	35.0	25.0	12111-1012065	22000	48
	6.50	9.00	13	12.98	1.5	15.5	1.6	38.0	25.0	12111-1012090	22000	48

* 单位: mm;

* 以上产品采用表面镀锌处理, 符合ROHS要求;

* 其它尺寸规格请与我们联系;

* 标准更改恕不另行通知。

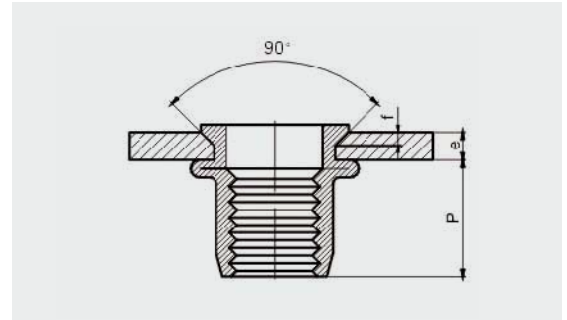
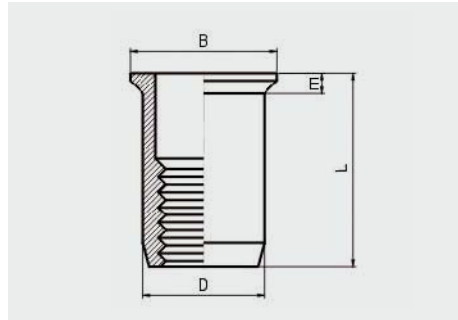
* Unit: mm.


* Surface Treatment: Zinc Plated & Passivated.

* Consult salesman on any other requirement.

* Specifications subject to change without notice.

◎ 沉头圆身普通 (开口 / 铝) | Countersunk Head Round Body (Open/Aluminium)



	e		 +0.1/0	D Max.	f	B	E	L	P	P/N	Setting Load (N)	Torque (N.m)
	Min.	Max.										
M3	1.50	3.50	5	4.98	1.3	7.2	1.4	10.2	5.6	12103-0310035	1900	1.2
	3.50	5.00	5	4.98	1.3	7.2	1.4	11.8	5.6	12103-0310050	1900	1.2
M4	1.50	3.50	6	5.98	1.3	8.2	1.4	11.3	6.5	12103-0410035	3000	3
	3.50	5.00	6	5.98	1.3	8.2	1.4	12.9	6.5	12103-0410050	3000	3
M5	1.50	4.50	7	6.98	1.5	9.6	1.6	14.2	7.8	12103-0510045	3800	6
	4.50	6.50	7	6.98	1.5	9.6	1.6	16.3	7.8	12103-0510065	3800	6
M6	1.50	4.50	9	8.98	1.5	11.7	1.6	16.6	10.4	12103-0610045	5500	10
	4.50	6.50	9	8.98	1.5	11.7	1.6	18.7	10.4	12103-0610065	5500	10
M8	1.50	4.50	11	10.98	1.5	13.5	1.6	20.1	12.7	12103-0810045	10000	24
	4.50	6.50	11	10.98	1.5	13.5	1.6	22.2	12.7	12103-0810065	10000	24
M10	1.50	4.50	13	12.98	1.5	15.5	1.6	24.0	16.6	12103-1010045	12000	48
	4.50	6.50	13	12.98	1.5	15.5	1.6	26.1	16.6	12103-1010065	12000	48

* 单位: mm;

* 其它尺寸规格请与我们联系;

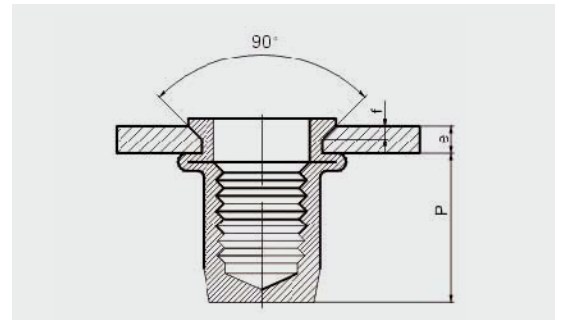
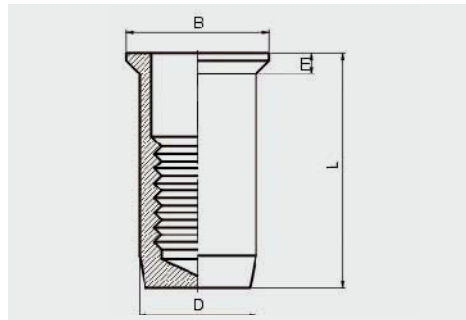
* 标准更改恕不另行通知。


* Unit: mm.

* Consult salesman on any other requirement.

* Specifications subject to change without notice.

◎ 沉头圆身普通 (闭口/铝) | Countersunk Head Round Body(Closed/Aluminium)



	e		 +0.1/0	D Max.	f	B	E	L	P	P/N	Setting Load (N)	Torque (N.m)
	Min.	Max.										
M3	1.50	3.50	5	4.98	1.3	7.2	1.4	14.1	9.5	12113-0310035	1900	1.2
	3.50	5.00	5	4.98	1.3	7.2	1.4	15.7	9.5	12113-0310050	1900	1.2
M4	1.50	3.50	6	5.98	1.3	8.2	1.4	16.3	11.5	12113-0410035	3000	3
	3.50	5.00	6	5.98	1.3	8.2	1.4	17.9	11.5	12113-0410050	3000	3
M5	1.50	4.50	7	6.98	1.5	9.6	1.6	19.4	13.5	12113-0510045	3800	6
	4.50	6.50	7	6.98	1.5	9.6	1.6	22.0	13.5	12113-0510065	3800	6
M6	1.50	4.50	9	8.98	1.5	11.7	1.6	23.6	17.4	12113-0610045	5500	10
	4.50	6.50	9	8.98	1.5	11.7	1.6	25.7	17.4	12113-0610065	5500	10
M8	1.50	4.50	11	10.98	1.5	13.5	1.6	28.4	21.0	12113-0810045	10000	24
	4.50	6.50	11	10.98	1.5	13.5	1.6	30.5	21.0	12113-0810065	10000	24
M10	1.50	4.50	13	12.98	1.5	15.5	1.6	33.9	26.5	12113-1010045	12000	48
	4.50	6.50	13	12.98	1.5	15.5	1.6	36.0	26.5	12113-1010065	12000	48

* 单位: mm;

* 其它尺寸规格请与我们联系;

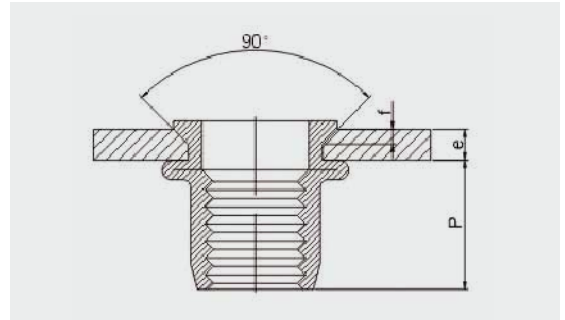
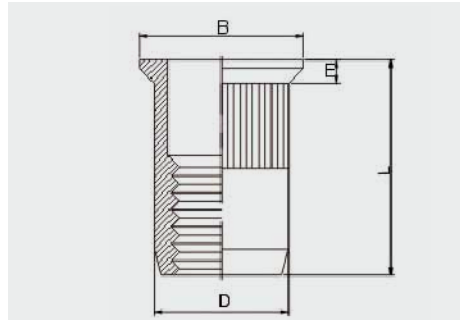
* 标准更改恕不另行通知。


* Unit: mm.

* Consult salesman on any other requirement.

* Specifications subject to change without notice.

◎ 沉头圆身滚花(开口 / 钢) | Countersunk Head Knurled Body(Open/Steel)



	e		 +0.1/0	D Max.	B	f	E	L	P	P/N	Setting Load (N)	Torque (N.m)
	Min.	Max.										
M3	1.00	1.80	5	4.98	7	1.0	1.1	8.8	6.0	12101-0312018	3500	1.2
	1.80	2.50	5	4.98	7	1.2	1.3	9.6	6.0	12101-0312025	3500	1.2
	2.50	3.50	5	4.98	7	1.2	1.3	10.4	6.0	12101-0312035	3500	1.2
M4	1.00	1.80	6	5.98	8	1.0	1.1	9.2	6.3	12101-0412018	5600	3
	1.80	2.50	6	5.98	8	1.2	1.3	10.0	6.3	12101-0412025	5600	3
	2.50	3.50	6	5.98	8	1.2	1.3	10.8	6.3	12101-0412035	5600	3
M5	1.00	2.00	7	6.98	9	1.0	1.1	11.6	8.5	12101-0512020	8500	6
	2.00	3.00	7	6.98	9	1.4	1.5	12.7	8.5	12101-0512030	8500	6
	3.00	4.00	7	6.98	9	1.4	1.5	13.8	8.5	12101-0512040	8500	6
	4.00	5.00	7	6.98	9	1.4	1.5	14.9	8.5	12101-0512050	8500	6
M6	1.50	3.00	9	8.98	11	1.2	1.3	15.0	10.0	12101-0612030	11000	10
	3.00	4.50	9	8.98	11	1.5	1.6	16.6	10.0	12101-0612045	11000	10
	4.50	6.00	9	8.98	11	1.5	1.6	18.2	10.0	12101-0612060	11000	10
	6.00	7.50	9	8.98	11	1.5	1.6	19.8	10.0	12101-0612075	11000	10
M8	1.50	3.00	11	10.98	13	1.4	1.5	16.5	11.5	12101-0812030	15000	24
	3.00	4.50	11	10.98	14	2.0	2.1	18.1	11.5	12101-0812045	15000	24
	4.50	6.00	11	10.98	14	2.0	2.1	19.7	11.5	12101-0812060	15000	24
	6.00	7.50	11	10.98	14	2.0	2.1	21.3	11.5	12101-0812075	15000	24
M10	1.50	3.00	13	12.98	15	1.4	1.5	20.4	15.0	12101-1012030	21000	48
	3.00	4.50	13	12.98	16	2.0	2.1	22.0	15.0	12101-1012045	21000	48
	4.50	6.00	13	12.98	16	2.0	2.1	23.6	15.0	12101-1012060	21000	48

* 单位: mm;

* 以上产品采用表面镀锌处理, 符合ROHS要求;

* 其它尺寸规格请与我们联系;

* 标准更改恕不另行通知。

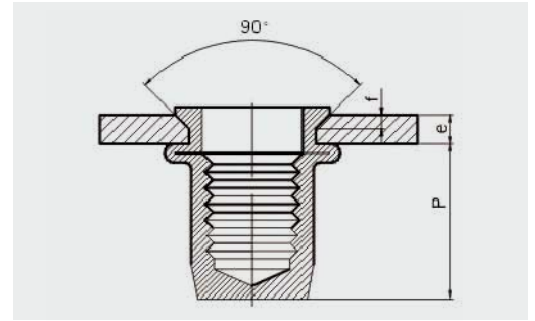
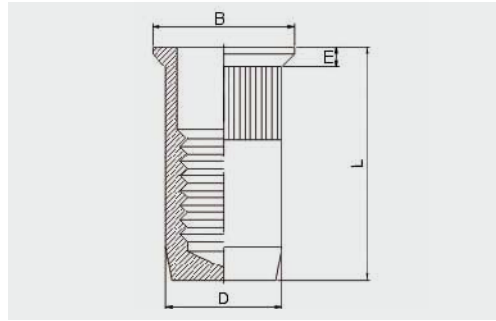
* Unit: mm.


* Surface Treatment: Zinc Plated & Passivated.

* Consult salesman on any other requirement.

* Specifications subject to change without notice.

◎ 沉头圆身滚花(闭口 / 钢) | Countersunk Head Knurled Body(Closed/Steel)



	e		 +0.1/0	D Max.	B	f	E	L	P	P/N	Setting Load (N)	Torque (N.m)
	Min.	Max.										
M3	1.00	1.80	5	4.98	7	1.0	1.1	13.1	10.3	12111-0312018	3500	1.2
	1.80	2.50	5	4.98	7	1.2	1.3	13.9	10.3	12111-0312025	3500	1.2
	2.50	3.50	5	4.98	7	1.2	1.3	14.7	10.3	12111-0312035	3500	1.2
M4	1.00	1.80	6	5.98	8	1.0	1.1	14.2	11.3	12111-0412018	5600	3
	1.80	2.50	6	5.98	8	1.2	1.3	15.0	11.3	12111-0412025	5600	3
	2.50	3.50	6	5.98	8	1.2	1.3	15.8	11.3	12111-0412035	5600	3
M5	1.00	2.00	7	6.98	9	1.0	1.1	17.7	14.6	12111-0512020	8500	6
	2.00	3.00	7	6.98	9	1.4	1.5	18.8	14.6	12111-0512030	8500	6
	3.00	4.00	7	6.98	9	1.4	1.5	19.9	14.6	12111-0512040	8500	6
	4.00	5.00	7	6.98	9	1.4	1.5	21.0	14.6	12111-0512050	8500	6
M6	1.50	3.00	9	8.98	11	1.2	1.3	22.0	17.0	12111-0612030	11000	10
	3.00	4.50	9	8.98	11	1.5	1.6	23.6	17.0	12111-0612045	11000	10
	4.50	6.00	9	8.98	11	1.5	1.6	25.5	17.0	12111-0612060	11000	10
	6.00	7.50	9	8.98	11	1.5	1.6	26.8	17.0	12111-0612075	11000	10
M8	1.50	3.00	11	10.98	13	1.4	1.5	24.8	19.8	12111-0812030	15000	24
	3.00	4.50	11	10.98	14	2.0	2.1	26.4	19.8	12111-0812045	15000	24
	4.50	6.00	11	10.98	14	2.0	2.1	28.0	19.8	12111-0812060	15000	24
	6.00	7.50	11	10.98	14	2.0	2.1	29.6	19.8	12111-0812075	15000	24
M10	1.50	3.00	13	12.98	15	1.4	1.5	30.3	24.9	12111-1012030	21000	48
	3.00	4.50	13	12.98	16	2.0	2.1	31.9	24.9	12111-1012045	21000	48
	4.50	6.00	13	12.98	16	2.0	2.1	33.5	24.9	12111-1012060	21000	48

* 单位: mm;

* 以上产品采用表面镀锌处理, 符合ROHS要求;

* 其它尺寸规格请与我们联系;

* 标准更改恕不另行通知。

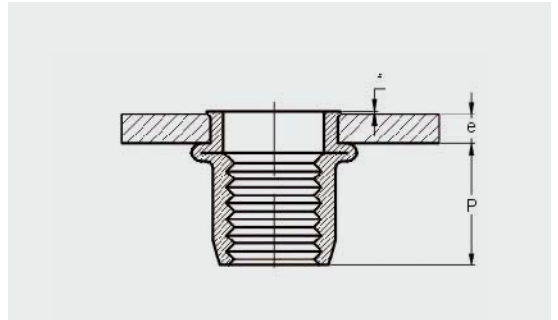
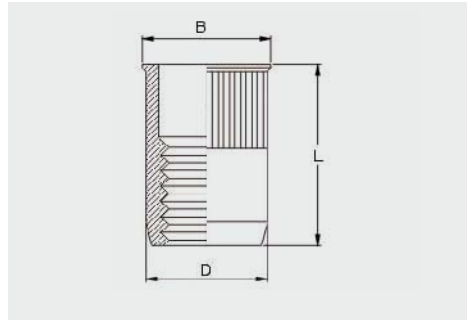
* Unit: mm.


* Surface Treatment: Zinc Plated & Passivated.

* Consult salesman on any other requirement.

* Specifications subject to change without notice.

◎ 小沉头圆身滚花(开口 / 钢) | Low Countersunk Head Knurled Body(Open/Steel)



	e		 +0.1/0	D Max.	B	f	L	P	P/N	Setting Load (N)	Torque (N.m)
	Min.	Max.									
M3	0.50	1.50	5	4.98	6	0.4	8.3	5.5	13201-0312015	3500	1.2
	1.50	3.00	5	4.98	6	0.4	9.8	5.7	13201-0312030	3500	1.2
M4	0.50	2.50	6	5.98	7	0.4	11.3	5.8	13201-0412025	5600	3
	2.50	4.00	6	5.98	7	0.4	11.9	5.9	13201-0412040	5600	3
M5	0.50	2.50	7	6.98	8	0.4	13.0	7.3	13201-0512025	8500	6
	2.50	4.00	7	6.98	8	0.4	13.8	7.6	13201-0512040	8500	6
M6	0.50	3.00	9	8.98	10	0.4	14.5	8.5	13201-0612030	11000	10
	3.00	4.50	9	8.98	10	0.4	15.3	8.6	13201-0612045	11000	10
	4.50	6.00	9	8.98	10	0.4	16.9	8.6	13201-0612060	11000	10
M8	0.50	3.00	11	10.98	12	0.5	18.0	11	13201-0812030	15000	24
	3.00	4.50	11	10.98	12	0.5	18.9	12	13201-0812045	15000	24
	4.50	6.00	11	10.98	12	0.5	20.5	12	13201-0812060	15000	24
M10	0.50	3.00	13	12.98	14	0.5	20.0	13.9	13201-1012030	21000	48
	3.00	4.50	13	12.98	14	0.5	21.9	14.3	13201-1012045	21000	48
	4.50	6.00	13	12.98	14	0.5	23.5	14.3	13201-1012060	21000	48

* 单位: mm;

* 以上产品采用表面镀锌处理, 符合ROHS要求;

* 其它尺寸规格请与我们联系;

* 标准更改恕不另行通知。

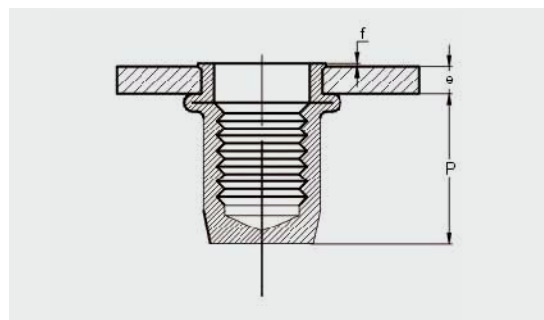
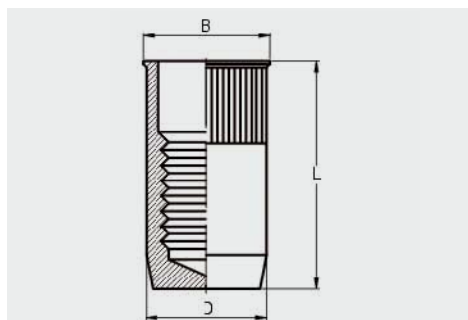
* Unit: mm.


* Surface Treatment: Zinc Plated & Passivated.

* Consult salesman on any other requirement.

* Specifications subject to change without notice.

◎ 小沉头圆身滚花(闭口 / 钢) | Low Countersunk Head Knurled Body(Closed/Steel)



	e		 +0.1/0	D Max.	B	f	L	P	P/N	Setting Load (N)	Torque (N.m)
	Min.	Max.									
M3	0.50	1.50	5	4.98	6	0.4	12.6	10.1	13211-0312015	3500	1.2
	1.50	3.00	5	4.98	6	0.4	14.1	10.0	13211-0312030	3500	1.2
M4	0.50	2.50	6	5.98	7	0.4	15.3	10.9	13211-0412025	5600	3
	2.50	4.00	6	5.98	7	0.4	16.9	10.9	13211-0412040	5600	3
M5	0.50	2.50	7	6.98	8	0.4	18.2	13.6	13211-0512025	8500	6
	2.50	4.00	7	6.98	8	0.4	19.8	13.6	13211-0512040	8500	6
M6	0.50	3.00	9	8.98	10	0.4	18.7	13.6	13211-0612030	11000	10
	3.00	4.50	9	8.98	10	0.4	20.3	13.6	13211-0612045	11000	10
	4.50	6.00	9	8.98	10	0.4	21.9	13.6	13211-0612060	11000	10
M8	0.50	3.00	11	10.98	12	0.5	23.3	18.0	13211-0812030	15000	24
	3.00	4.50	11	10.98	12	0.5	24.9	18.0	13211-0812045	15000	24
	4.50	6.00	11	10.98	12	0.5	26.5	18.0	13211-0812060	15000	24
M10	0.50	3.00	13	12.98	14	0.5	28.3	22.3	13211-1012030	21000	48
	3.00	4.50	13	12.98	14	0.5	29.9	22.3	13211-1012045	21000	48
	4.50	6.00	13	12.98	14	0.5	31.5	22.3	13211-1012060	21000	48

* 单位: mm;

* 以上产品采用表面镀锌处理, 符合ROHS要求;

* 其它尺寸规格请与我们联系;

* 标准更改恕不另行通知。

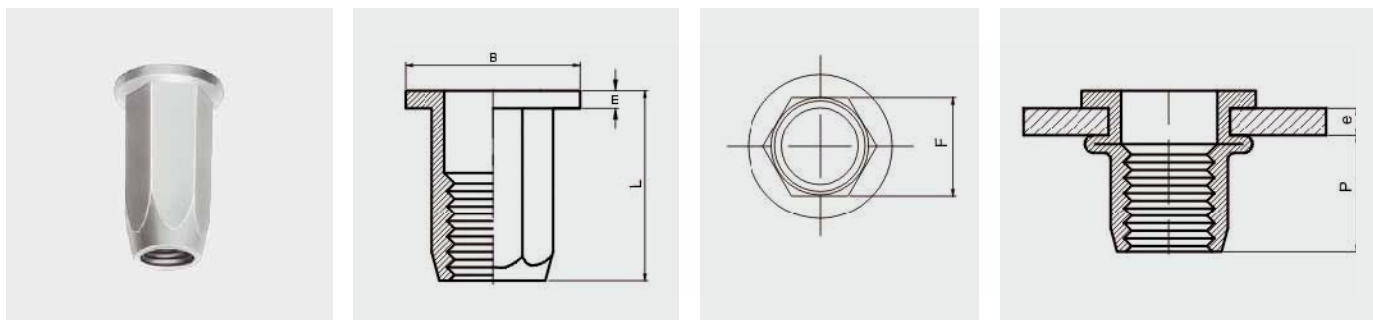
* Unit: mm.

* Surface Treatment: Zinc Plated & Passivated.

* Consult salesman on any other requirement.

* Specifications subject to change without notice.

◎ 平头全六角(开口 / 钢) | Flat Head Hexagonal Body(Open/Steel)



	e		+0.1/0	F Max.	B	E	L	P	P/N	Setting Load (N)	Torque (N.m)
	Min.	Max.									
M4	0.50	2.00	6	5.98	9	1.0	10.0	5	11401-0412020	5600	3
M5	0.50	3.00	7	6.98	10	1.0	14.0	9	11401-0512030	8000	6
M6	0.50	3.00	9	8.98	13	1.5	16.0	10	11401-0612030	12000	10
	3.00	5.50	9	8.98	13	1.5	19.0	10	11401-0612055	12000	10
M8	0.50	3.00	11	10.98	16	1.5	18.0	11	11401-0812030	15000	24
	3.00	5.50	11	10.98	16	1.5	21.0	11	11401-0812055	15000	24
M10	1.00	3.50	13	12.98	19	2.0	23.0	15	11401-1012035	22000	48
	3.50	6.00	13	12.98	19	2.0	25.7	15	11401-1012060	22000	48

* 单位: mm;

* 以上产品采用表面镀锌处理, 符合ROHS要求;

* 其它尺寸规格请与我们联系;

* 标准更改恕不另行通知。

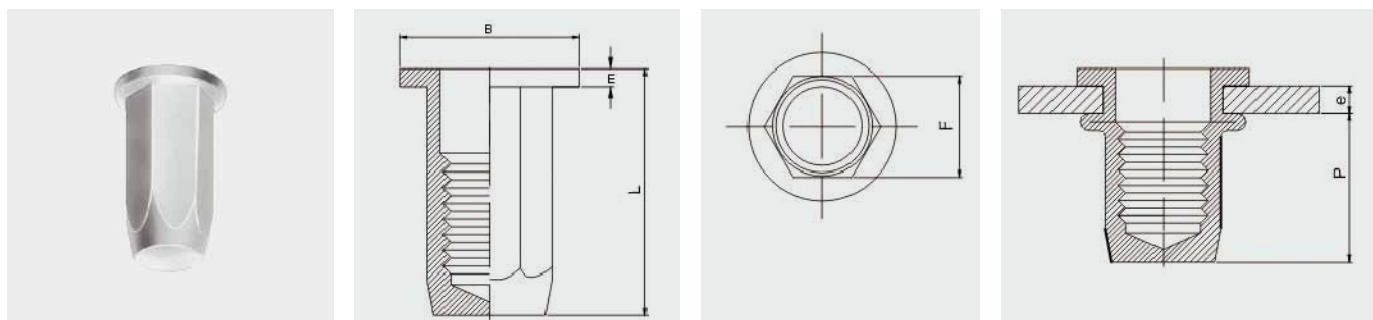
* Unit: mm.

* Surface Treatment: Zinc Plated & Passivated.

* Consult salesman on any other requirement.

* Specifications subject to change without notice.

◎ 平头全六角（闭口/钢） | Flat Head Hexagonal Body(Closed /Steel)



	e		+0.1/0	F Max.	B	E	L	P	P/N	Setting Load (N)	Torque (N.m)
	Min.	Max.									
M4	0.50	2.00	6	5.98	9	1.0	15	10.0	11411-0412020	5600	3
M5	0.50	3.00	7	6.98	10	1.0	20	14.7	11411-0512030	8000	6
M6	0.50	3.00	9	8.98	13	1.5	23	17.0	11411-0612030	12000	10
	3.00	5.50	9	8.98	13	1.5	26	17.0	11411-0612055	12000	10
M8	0.50	3.00	11	10.98	16	1.5	26	19.0	11411-0812030	15000	24
	3.00	5.50	11	10.98	16	1.5	29	19.0	11411-0812055	15000	24
M10	1.00	3.50	13	12.98	19	2.0	33	25.0	11411-1012035	22000	48
	3.50	6.00	13	12.98	19	2.0	35.7	25.0	11411-1012060	22000	48

* 单位: mm;

* 以上产品采用表面镀锌处理, 符合ROHS要求;

* 其它尺寸规格请与我们联系;

* 标准更改恕不另行通知。

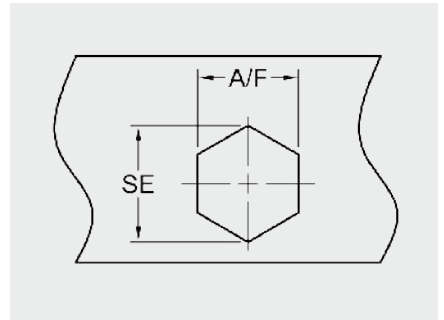
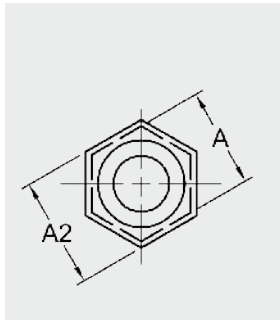
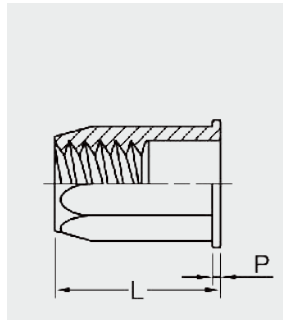
* Unit: mm.

* Surface Treatment: Zinc Plated & Passivated.

* Consult salesman on any other requirement.

* Specifications subject to change without notice.

◎ 小沉头全六角 (开口/钢) | Low Countersunk Head Hexagonal Body (Open/Steel)



THREAD SIZE	P/N	A -0.2	A2 ±0.3	GRIP RANGE	L +0.5/-0.3	P ±0.2	SE Min	Hex Hole A/F(+0.1)
M4 X 0.7	13401-0412025	6.00	7.00	0.5 ~ 2.5	10.00	0.50	6.80	6.10
M4 X 0.7	13401-0412040	6.00	7.00	2.0 ~ 4.0	12.00	0.50	6.85	6.10
M5 X 0.8	13401-0512030	7.00	8.00	0.5 ~ 3.0	12.00	0.60	8.00	7.10
M5 X 0.8	13401-0512045	7.00	8.00	2.0 ~ 4.5	14.75	0.60	8.05	7.10
M6 X 1.0	13401-0612030	9.00	10.00	0.6 ~ 3.0	15.00	0.60	10.30	9.10
M6 X 1.0	13401-0612055	9.00	10.00	3.0 ~ 5.5	18.00	0.60	10.35	9.10
M8 X 1.25	13401-0812035	11.00	12.00	0.7 ~ 3.5	17.50	0.50	12.60	11.10
M8 X 1.25	13401-0812055	11.00	12.00	3.0 ~ 5.5	19.00	0.50	12.65	11.10
M10 X 1.50	13401-1012045	13.00	14.50	1.0 ~ 4.5	23.00	1.00	14.90	13.10
M10 X 1.50	13401-1012060	13.00	14.50	3.0 ~ 6.0	25.00	1.00	14.95	13.10
M12 X 1.75	13401-1212040	16.00	18.00	1.0 ~ 4.0	25.00	1.00	18.30	16.10

* 单位: mm;

* 以上产品采用表面镀锌处理, 符合ROHS要求;

* 其它尺寸规格请与我们联系;

* 标准更改恕不另行通知。

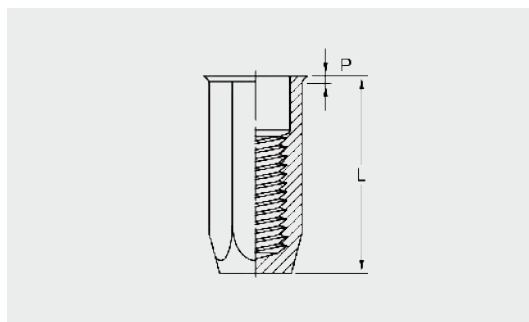
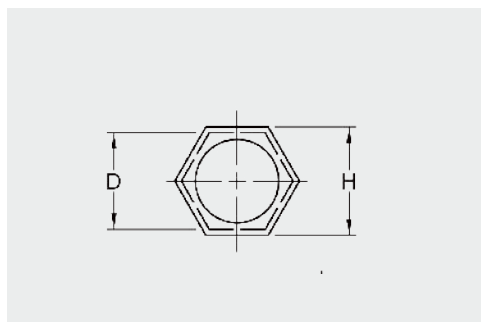
* Unit: mm.

* Surface Treatment: Zinc Plated & Passivated.

* Consult salesman on any other requirement.

* Specifications subject to change without notice.

◎ 小沉头全六角 (闭口/钢) | Low Countersunk Head Hexagonal Body(Closed /Steel)



THREAD SIZE	P/N	D -0.15	H ±0.3	GRIP RANGE	L ±0.1	P ±0.2	HOLE +0.1
M4 X 0.7	13411-0412025	6.00	6.90	0.5 ~ 2.5	16.00	0.50	6.00
M5 X 0.8	13411-0512030	7.00	9.00	0.5 ~ 3.0	20.00	0.50	7.00
M6 X 1.0	13411-0612030	9.00	10.00	0.5 ~ 3.0	22.00	0.60	9.00
M8 X 1.25	13411-0812030	11.00	12.00	0.7 ~ 3.0	25.50	0.50	11.00

* 单位: mm;

* 以上产品采用表面镀锌处理, 符合ROHS要求;

* 其它尺寸规格请与我们联系;

* 标准更改恕不另行通知。

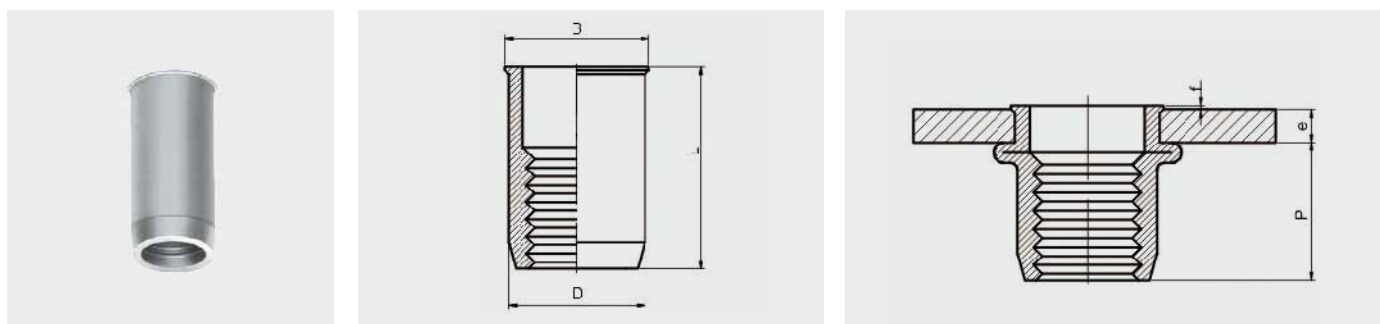
* Unit: mm.

* Surface Treatment: Zinc Plated & Passivated.

* Consult salesman on any other requirement.

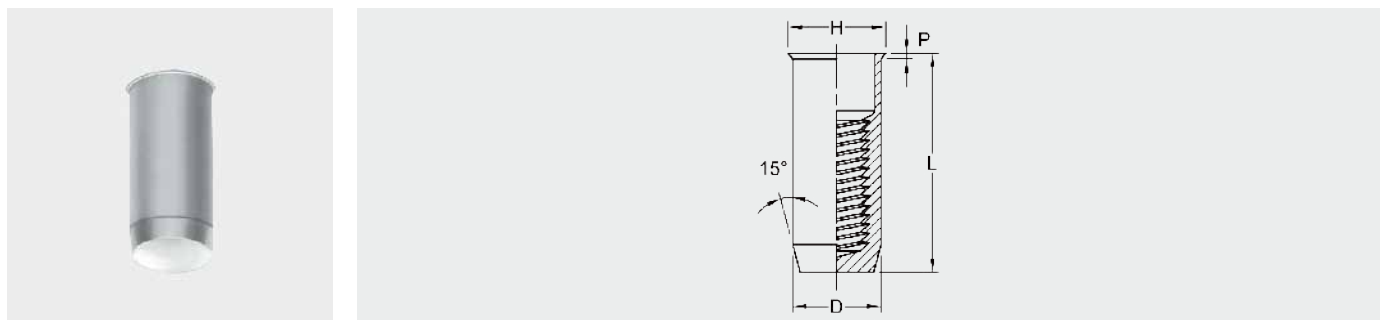
* Specifications subject to change without notice.

◎ 小沉头圆身普通 (开口/钢) | Low Countersunk Head Round Body (Open/Steel)



	e		+0.1/0	D Max.	B	f	L	P	P/N	Setting Load (N)	Torque (N.m)
	Min.	Max.									
M3	0.50	1.50	4.7	4.68	5.2	0.4	8.4	5.5	13101-0312015	3500	1.2
M4	0.50	2.00	6.4	6.38	6.7	0.5	10.4	7.3	13101-0412020	5500	3
M5	0.50	3.00	7.1	7.08	7.5	0.6	11.5	7.3	13101-0512030	5000	6
M6	0.50	3.00	9.5	9.48	10.2	0.6	14.5	9.3	13101-0612030	12000	10
M8	0.50	4.50	10.5	10.48	11.3	0.7	16.8	9.6	13101-0812045	15000	24

◎ 小沉头圆身普通 (闭口/钢) | Low Countersunk Head Round Body (Closed/Steel)



	P/N	D -0.15	H ±0.3	GRIP RANGE	L ±0.3	P ±0.15	HOLE +0.1
M4	13111-0412020	6.35	7.10	0.50 ~ 2.00	15.00	0.45	6.40
M5	13111-0512020	7.10	8.10	0.50 ~ 2.00	20.20	0.50	7.15
M6	13111-0612032	9.50	10.50	0.70 ~ 3.20	23.50	0.60	9.55
M8	13111-0812035	10.50	11.50	0.90 ~ 3.50	23.00	0.50	10.55
M10	13111-1012030	12.70	13.90	1.00 ~ 3.00	29.50	0.80	12.75

* 单位: mm;

* 其它尺寸规格请与我们联系;

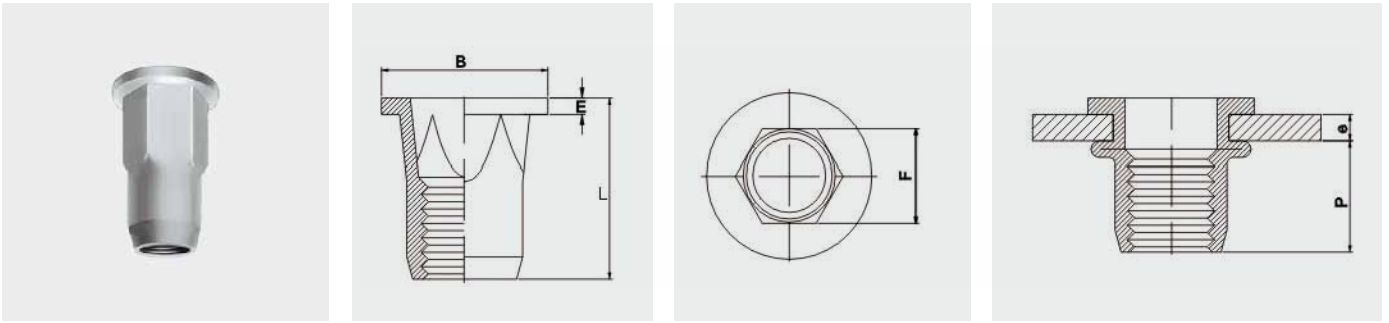
* 标准更改恕不另行通知。

* Unit: mm.

* Consult salesman on any other requirement.

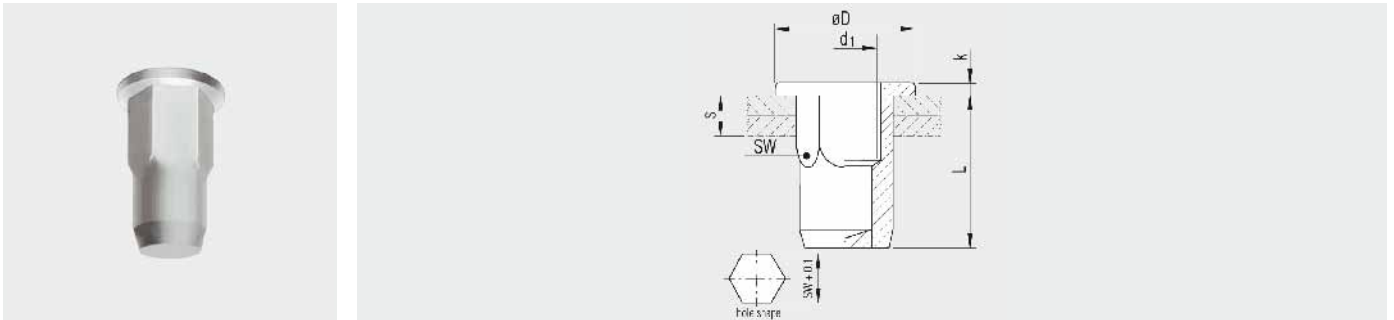
* Specifications subject to change without notice.

◎ 平头半六角 (开口/钢) | Flat Head Half Hexagonal Body(Open/Steel)



	e		+0.1/0	F Max.	B	E	L	P	P/N	Setting Load (N)	Torque (N.m)
	Min.	Max.									
M4	0.50	3.00	6	5.98	9	1.0	11.3	5.8	11301-0412030	3500	3
M5	0.50	3.00	7	6.98	10	1.0	13.0	7.3	11301-0512030	5500	6
M6	0.50	3.00	9	8.98	13	1.5	14.5	8.0	11301-0612030	8000	10
M8	0.50	3.00	11	10.98	16	1.5	18.0	11.2	11301-0812030	13000	24

◎ 平头半六角 (闭口/钢) | Flat Head Half Hexagonal Body(Closed /Steel)



	Grip range s [mm]	Hole A/F [mm]	Body A/F SW [mm]	Head-ø D [mm]	Head height k [mm]	Body length L [mm]	P/N
M 4	0.50 ~ 3.00	6.1	6.0	9.0	1.0	16.0	11311-0412030
M 5	0.50 ~ 3.00	7.1	7.0	10.0	1.0	17.5	11311-0512030
M 6	0.50 ~ 3.00	9.1	9.0	12.0	1.5	21.5	11311-0612030
M 8	0.50 ~ 3.00	11.1	11.0	15.0	1.5	23.5	11311-0812030

* 单位: mm;

* 其它尺寸规格请与我们联系;

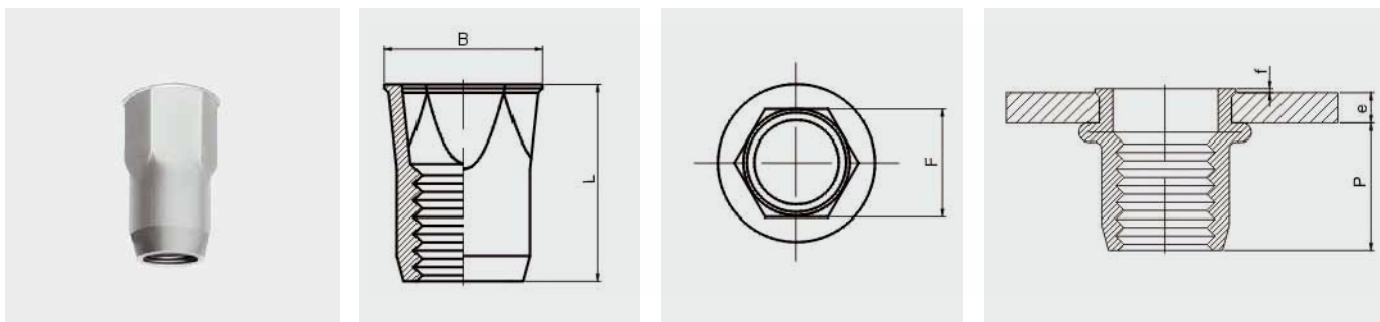
* 标准更改恕不另行通知。

* Unit: mm.

* Consult salesman on any other requirement.

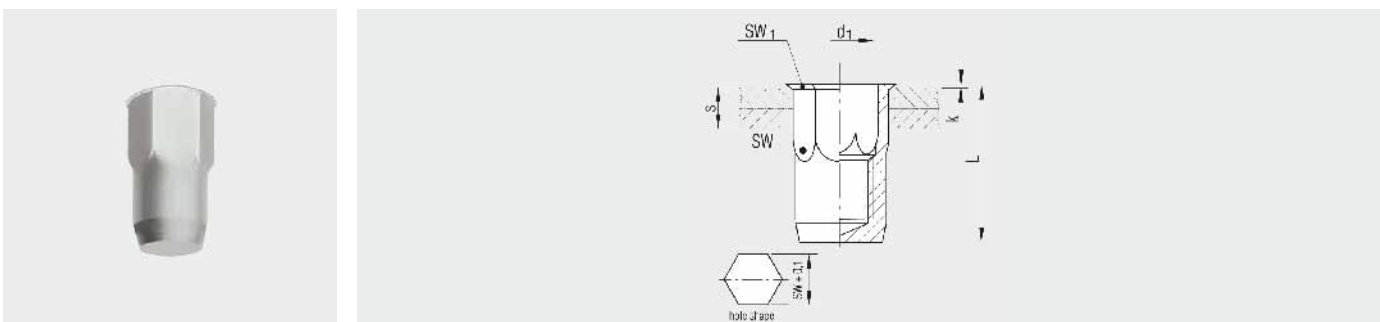
* Specifications subject to change without notice.

◎ 小沉头半六角 (开口/钢) | Low Countersunk Head Half Hexagonal Body (Open/Steel)



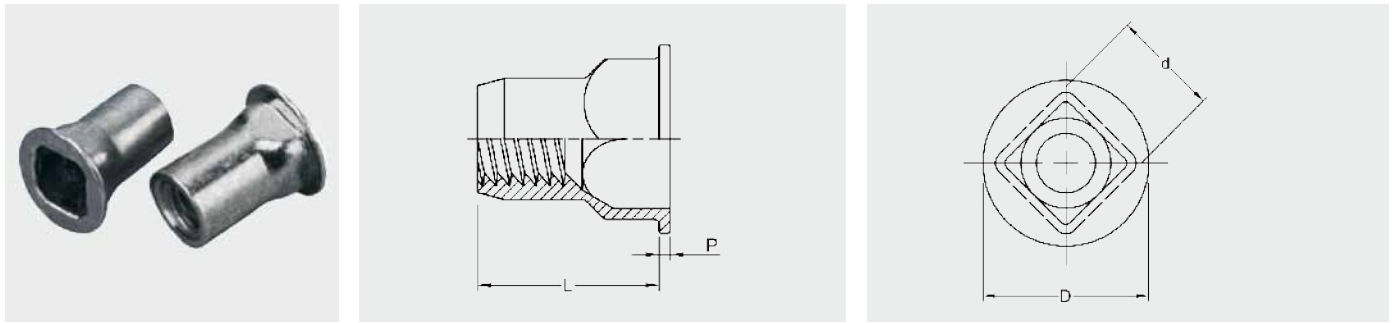
THREAD SIZE	e		+0.1/0	F Max.	B	f	L	P	P/N	Setting Load (N)	Torque (N.m)
	Min.	Max.									
M4	0.50	3.00	6	5.98	7.5	0.3	11.0	6.0	13301-0412030	5600	3
M5	0.50	3.00	7	6.98	8.7	0.3	13.0	7.5	13301-0512030	8000	6
M6	0.50	3.00	9	8.98	10.9	0.4	14.0	8.3	13301-0612030	11000	10
M8	0.50	3.00	11	10.98	13.3	0.4	17.5	11.3	13301-0812030	15000	24

◎ 小沉头半六角 (闭口/钢) | Low Countersunk Head Half Hexagonal Body (Closed /Steel)



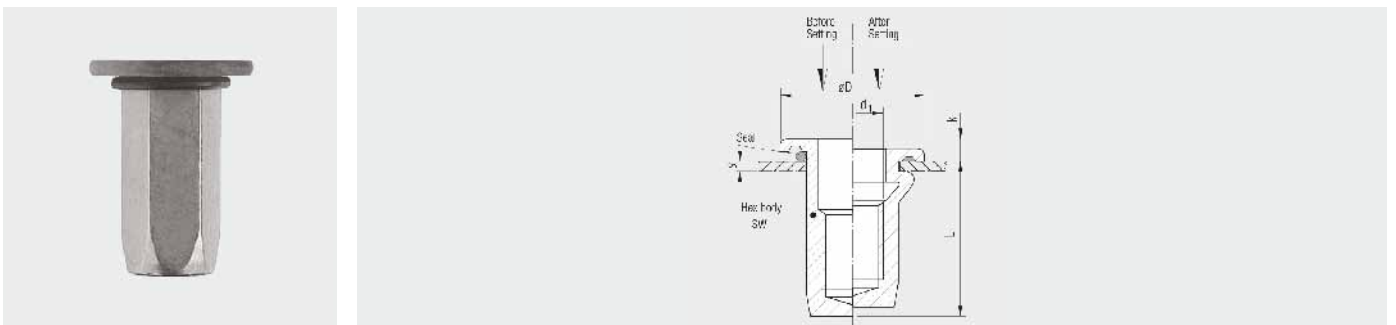
Thread d1	Grip range s [mm]	Hole A/F [mm]	Body A/F SW [mm]	Head A/F SW1 [mm]	Head height k [mm]	Body length L [mm]	P/N
M 4	0.5 – 3.0	6.1	6.0	9.0	0.5	16.5	13311-0412030
M 5	0.5 – 3.0	7.1	7.0	7.5	0.5	18.0	13311-0512030
	3.0 – 5.0	7.1	7.0	7.5	0.5	20.5	13311-0512050
M 6	0.5 – 3.0	9.1	9.0	9.5	0.5	21.5	13311-0612030
	3.0 – 5.0	9.1	9.0	9.5	0.5	23.5	13311-0612050
M 8	0.5 – 3.0	11.1	11.0	11.5	0.5	24.0	13311-0812030
	3.0 – 5.0	11.1	11.0	11.5	0.5	26.5	13311-0812050

◎ 大法兰头半四角 (开口/钢) | Large Flange Head Square Section Body(Open/Steel)



THREAD SIZE	P/N	D ±0.3	H -0.15	GRIP RANGE	L ±0.3	P ±0.1	HOLE +0.1
M5 X 0.8	SQ- LM5	10.00	7.10	0.5 ~ 1.5	10.40	0.60	7.00
M6 X 1.0	SQ- LM6	14.00	9.00	1.0 ~ 2.5	13.50	0.80	9.00
M6 X 1.0	SQ- LM6-L	13.00	9.00	1.0 ~ 3.5	14.60	0.90	9.00

◎ 平头全六角带密封圈 (闭口/钢) | Flat Head Hexagonal Body With Seal(Closed /Steel)



Thread d1	Grip range s [mm]	Hole A/F [mm]	Body A/F SW [mm]	Head-ø D [mm]	Head height k [mm]	Body length L [mm]	P/N
M 5	0.5 - 3.0	7.0	7.0	12.5	1.5	19.0	339 2451
M 6	0.5 - 3.0	9.1	9.0	15.0	1.5	21.5	339 6951
M 8	0.5 - 3.0	11.1	11.0	20.0	2.0	26.7	339 8501

* 单位: mm;

* 其它尺寸规格请与我们联系;

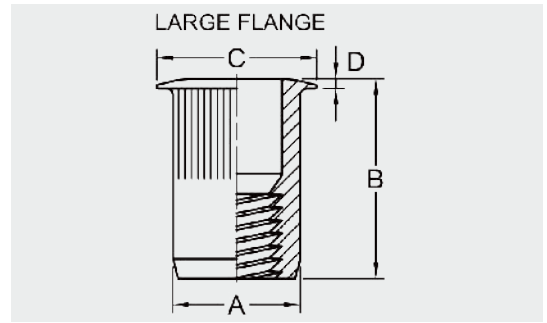
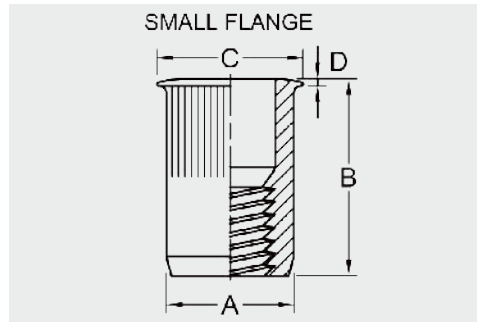
* 标准更改恕不另行通知。

* Unit: mm.

* Consult salesman on any other requirement.

* Specifications subject to change without notice.

◎ 小龟背头圆身滚花 [开口/钢] | Small Flange Head Knurled Body(Open/Steel)

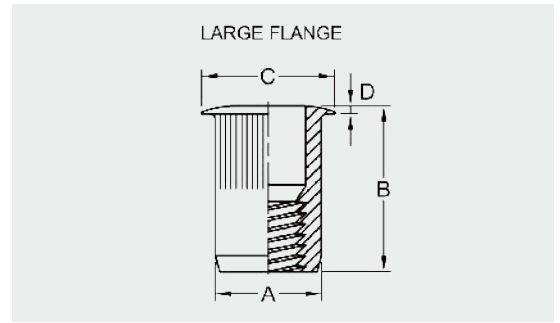
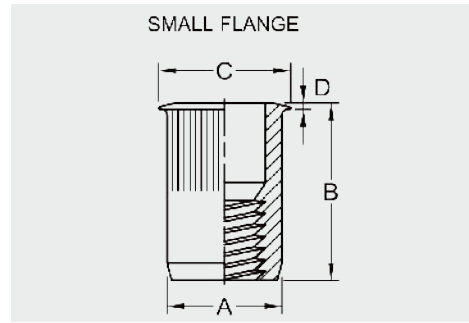


THREAD SIZE	ITEM NO.	A +0.05 / -0.15	B ±0.40	GRIP RANGE	C ±0.30	D ±0.1	HOLE +0.1
M4 X 0.7	AK SM4	6.70	11.10	0.5 ~ 2.0	7.85	0.50	6.75
M4 X 0.7	AK SM4-L	6.70	12.40	2.0 ~ 3.3	7.85	0.50	6.75
M5 X 0.8	AK SM5	7.50	12.50	0.5 ~ 3.3	8.65	0.55	7.60
M5 X 0.8	AK SM5-L	7.50	15.30	3.3 ~ 5.7	8.65	0.55	7.60
M6 X 1.0	AK SM6	9.90	15.30	0.7 ~ 4.2	11.60	0.55	10.00
M6 X 1.0	AK SM6-L	9.90	17.80	4.2 ~ 6.6	11.60	0.55	10.00
M8 X 1.25	AK SM8	13.45	18.00	0.7 ~ 3.8	15.10	0.55	13.50
M8 X 1.25	AK SM8-L	13.45	21.00	3.8 ~ 7.9	15.10	0.55	13.50
M10 X 1.50	AK SM10	13.45	18.00	0.7 ~ 3.8	15.10	0.55	13.50
M10 X 1.50	AK SM10-L	13.45	21.00	3.8 ~ 7.9	15.10	0.55	13.50

◎ 大龟背头圆身滚花 (开口/钢) | Large Flange Head Knurled Body(Open/Steel)

THREAD SIZE	ITEM NO.	A +0.05 / -0.15	B ±0.40	GRIP RANGE	C ±0.30	D ±0.1	HOLE +0.1
M4 X 0.7	AK LM4	6.70	11.45	0.5 ~ 2.0	7.85	0.50	6.75
M4 X 0.7	AK LM4-L	6.70	12.70	2.0 ~ 3.3	7.85	0.50	6.75
M5 X 0.8	AK LM5	7.50	12.85	0.5 ~ 3.3	8.65	0.55	7.60
M5 X 0.8	AK LM5-L	7.50	15.50	3.3 ~ 5.7	8.65	0.55	7.60
M6 X 1.0	AK LM6	9.90	15.50	0.7 ~ 4.2	11.60	0.55	10.00
M6 X 1.0	AK LM6-L	9.90	18.00	4.2 ~ 6.6	11.60	0.55	10.00
M8 X 1.25	AK LM8	13.45	18.40	0.7 ~ 3.8	15.10	0.55	13.50
M8 X 1.25	AK LM8-L	13.45	21.35	3.8 ~ 7.9	15.10	0.55	13.50
M10 X 1.50	AK LM10	13.45	18.40	0.7 ~ 3.8	15.10	0.55	13.50
M10 X 1.50	AK LM10-L	13.45	21.20	3.8 ~ 7.9	15.10	0.55	13.50

◎ 小龟背头圆身滚花 (美制螺纹) (开口/钢) | Small Flange Head Knurled Body (UNC Thread) (Open/Steel)

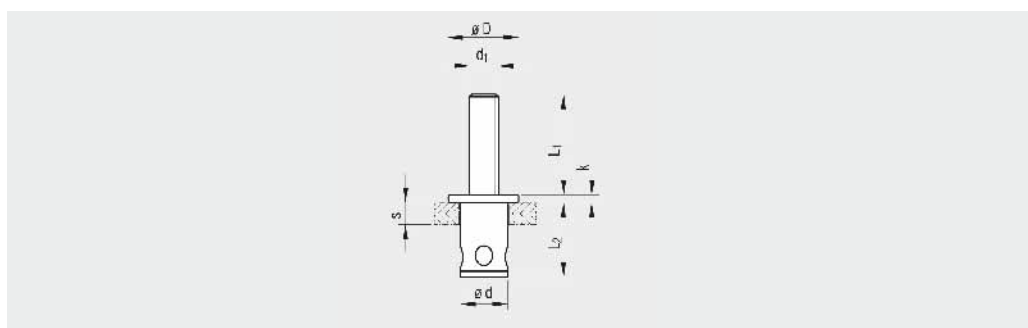


THREAD SIZE	ITEM NO.	A +0.05 / -0.15	B ±0.40	GRIP RANGE	C ±0.30	D ±0.1	HOLE +0.1
8-32	AK S8-32	6.70	11.10	0.5 ~ 2.0	7.85	0.50	6.75
	AK S8-32-L	6.70	12.40	2.0 ~ 3.3	7.85	0.50	6.75
10-24 or 10-32	AK S10-24(32)	7.50	12.50	0.5 ~ 3.3	8.65	0.55	7.60
	AK S10-24(32)-L	7.50	15.30	3.3 ~ 5.7	8.65	0.55	7.60
1/4"-20	AK S1/4-20	9.90	15.30	0.7 ~ 4.2	11.60	0.55	10.00
	AK S1/4-20-L	9.90	17.80	4.2 ~ 6.6	11.60	0.55	10.00
5/16"-18	AK S5/16-18	13.45	18.00	0.7 ~ 3.8	15.10	0.55	13.50
	AK S5/16-18-L	13.45	21.00	3.8 ~ 7.9	15.10	0.55	13.50
3/8"-16	AK S3/8-16	13.45	18.00	0.7 ~ 3.8	15.10	0.55	13.50
	AK S3/8-16-L	13.45	21.00	3.8 ~ 7.9	15.10	0.55	13.50

◎ 大龟背头圆身滚花 (美制螺纹) (开口/钢) | Large Flange Head Knurled Body (UNC Thread) (Open/Steel)

THREAD SIZE	ITEM NO.	A +0.05 / -0.15	B ±0.40	GRIP RANGE	C ±0.38	D ±0.1	HOLE +0.1
8-32	AK S8-32	6.70	11.45	0.5 ~ 2.0	9.90	0.75	6.75
	AK S8-32-L	6.70	12.70	2.0 ~ 3.3	9.90	0.75	6.75
10-24 or 10-32	AK S10-24(32)	7.50	12.85	0.5 ~ 3.3	10.55	0.75	7.60
	AK S10-24(32)-L	7.50	15.50	3.3 ~ 5.7	10.55	0.75	7.60
1/4"-20	AK S1/4-20	9.90	15.50	0.7 ~ 4.2	12.70	0.75	10.00
	AK S1/4-20-L	9.90	18.00	4.2 ~ 6.6	12.70	0.75	10.00
5/16"-18	AK S5/16-18	13.45	18.40	0.7 ~ 3.8	17.40	0.90	13.50
	AK S5/16-18-L	13.45	21.35	3.8 ~ 7.9	17.40	0.90	13.50
3/8"-16	AK S3/8-16	13.45	18.40	0.7 ~ 3.8	17.40	0.90	13.50
	AK S3/8-16-L	13.45	21.20	3.8 ~ 7.9	17.40	0.90	13.50

◎ 平头圆身滚花铆螺柱 | Flat Head Knurled Body Rivet Studs Steel



Thread d1	Grip range s [mm]	Hole-Φ [mm]	Thread length L ₁ ¹ [mm]	Body-ø d max [mm]	Head-ø D [mm]	Head height k [mm]	Body length L ₂ [mm]	Part No.
M 4	0.5 – 1.9	5.5	8	5.4	8.0	0.5	8.0	332 402
	2.0 – 3.0	5.5	8	5.4	8.0	0.5	9.0	332 412
	0.5 – 1.9	5.5	15	5.4	8.0	0.5	8.0	332 405
	2.0 – 3.0	5.5	15	5.4	8.0	0.5	9.0	332 415
M 5	0.5 – 1.9	6.6	10	6.5	9.0	0.75	9.0	332 503
	2.0 – 3.5	6.6	10	6.5	9.0	0.75	10.5	332 513
	0.5 – 1.9	6.6	15	6.5	9.0	0.75	9.0	332 505
	2.0 – 3.5	6.6	15	6.5	9.0	0.75	10.5	332 515
M 6	0.5 – 2.4	7.8	10	7.7	10.0	1.0	10.5	332 603
	2.5 – 4.0	7.8	10	7.7	10.0	1.0	12.0	332 613
	0.5 – 2.4	7.8	15	7.7	10.0	1.0	10.5	332 605
	2.5 – 4.0	7.8	15	7.7	10.0	1.0	12.0	332 615
M 8	0.5 – 2.9	9.9	15	9.8	12.0	1.5	12.5	332 805
	3.0 – 5.0	9.9	15	9.8	12.0	1.5	14.5	332 815
	0.5 – 2.9	9.9	20	9.8	12.0	1.5	12.5	332 801
	3.0 – 5.0	9.9	20	9.8	12.0	1.5	14.5	332 817

¹ L1 = dimension varies depending on actual grip thickness and tool setting.

◎ 特殊规格铆螺母及铆螺柱 | Blind Rivet Nuts & Studs Special designs



非标异型产品也能提供, 请联系我们。 special designs are available ,please contact us.

◎ P2010气动液压全自动铆螺母枪 | Hydraulic/pneumatic/automatic setting tool-P2010

特征/ Features

<ul style="list-style-type: none"> · 重型塑料枪身, 部件寿命长 · 重量轻, 符合人机工程学设计 · 最新的“自旋”技术 · 一键式按钮 · 可以挂起或手持 	<ul style="list-style-type: none"> · Heavy duty plastic body and long-life components · Light weight and ergonomically designed · Latest 'spin-pull' technology · One-step trigger · Can be suspended or hand-held
--	---

优点/ Benefits

<ul style="list-style-type: none"> · 适应和满足理想的生产环境要求 · 操作快速, 简便 · 降低操作者的疲劳感 · 提高生产率 · 提供的螺纹范围广, 种类多 · 安装更准确, 更安全 	<ul style="list-style-type: none"> · Ideal for demanding production environments · Quick and simple operation · Reduces operator fatigue · Increased productivity · Places a wide range of threaded inserts · Ensures accurate and secure thread installation
---	---

规格/ Specifications

<ul style="list-style-type: none"> · 重量: 2.2KG(4.9lbs) · 拉力: 19.1KN(4,300lbf) · 拉铆行程: 7mm(0.276in) · 周期: 2.5秒 · 压缩空气: 5-7 bar · 用气量: 8 升 · 噪音等级: 75dB(A) · 振动: <2.5m/s² 	<ul style="list-style-type: none"> · Weight: 2.2KG(4.9lbs) · Pull Force: 19.1KN(4,300lbf) · Stroke: 7mm(0.276in) · Cycle Time: 2.5sec · Air Supply Pressure: 5-7 bar · Free air volume: 8litres · Noise level: 75dB(A) · Vibration: <2.5m/s²
---	--

优点/ Benefits

<ul style="list-style-type: none"> · M12以下铆螺母均可使用 	<ul style="list-style-type: none"> · Blind rivet nuts up to M12
--	--

一键式按钮将单个螺母的铆接周期缩短到最小
One-step trigger reduces cycle time to a minimum





连接你我 紧固世界

地址: 青岛市李沧区重庆中路211号

邮编: 266100

电话: 0532-6898 2828

传真: 0532-6898 2818

E-mail: chinawacom@163.com

[Http://www.chinawacom.com](http://www.chinawacom.com)

Address: No.211, chongqingzhong Road,
Licang District, Qingdao, China

PC: 266100

Tel: + 86 532 6898 2828

Fax: + 86 532 6898 2818

E-mail: chinawacom@163.com

[Http://www.chinawacom.com](http://www.chinawacom.com)